

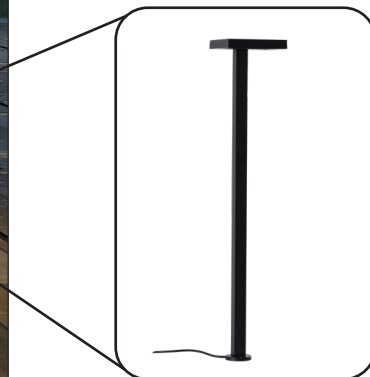


# BOLD Sell Sheets

The **best outdoor lighting solution** for North American professionals.

# BLAZE HIGH PL-BLAZE-H-BK

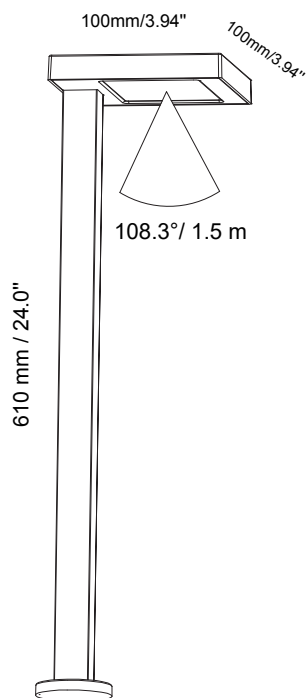
PATH LIGHT



The Blaze High is a minimalist's go-to low voltage path light. At 24 inches high, this 92.5 CRI slim & modern fixture casts a downwards warm light that's designed to enhance the colors and textures of your outdoor spaces without distracting you from the beauty of its surroundings. Blaze path lights come in 2 heights to choose from.

## SPECIFICATIONS:

- Voltage:** 12V AC
- Wattage:** 1.5
- Volt Amps:** 2.5
- Lumens:** 60
- Color Temp:** 2700k
- IP Rating:** 65
- CRI:** 92.5
- Material:** Anodized aluminum
- Cable Length:** 24"



DISTANCE (M)	CENTER BEAM (lx) Eavg/Emax	ILLUMINANCE - CONE OF LIGHT	BEAM DIAMETER (m)
0.25	121.6 / 408		0.41
0.5	30.4 / 102		0.82
1	7.6 / 25.4		1.64
1.5	2.65 / 9.3		2.46
2	1.9 / 6.4		3.28

AVERAGE BEAM ANGLE 0/180 (50%): 108.3 DEG

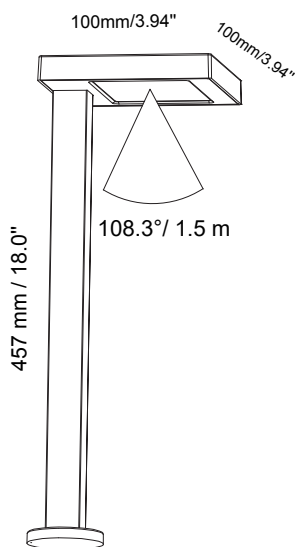




The Blaze Low is a minimalist's go-to low voltage path light. At 18 inches high, this 92.5 CRI slim & modern fixture casts a downwards warm light that's designed to enhance the colors and textures of your outdoor spaces without distracting you from the beauty of its surroundings. Blaze path lights come in 2 heights to choose from and both have a 65 IP Rating.

### SPECIFICATIONS:

- Voltage:** 12V AC
- Wattage:** 1.5
- Volt Amps:** 2.5
- Lumens:** 60
- Color Temp:** 2700k
- IP Rating:** 65
- CRI:** 92.5
- Material:** Anodized aluminum
- Cable Length:** 24"



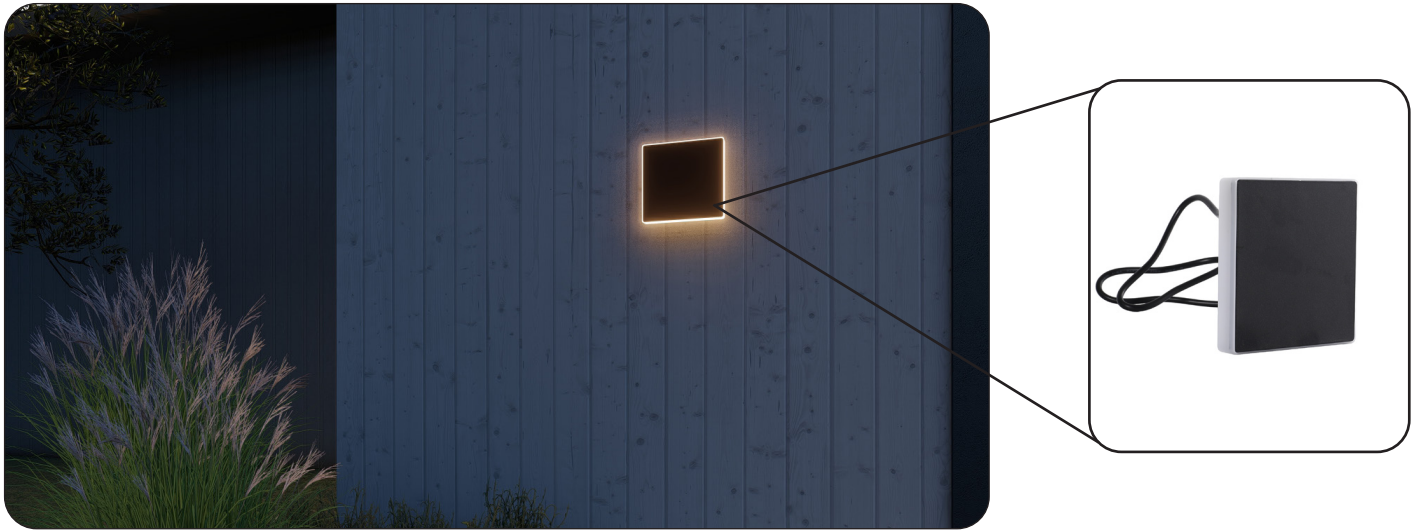
DISTANCE (M)	CENTER BEAM (lx) Eavg/Emax	ILLUMINANCE - CONE OF LIGHT	BEAM DIAMETER (m)
0.25	121.6 / 408		0.41
0.5	30.4 / 102		0.82
1	7.6 / 25.4		1.64
1.5	2.65 / 9.3		2.46
2	1.9 / 6.4		3.28

AVERAGE BEAM ANGLE 0/180 (50%): 108.3 DEG

# CUBE BACKLIT 4

WL-CUBE-BL-BK

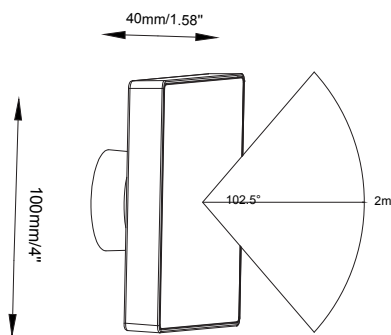
WALL LIGHT



The Cube Backlit 4 is a modern, lavish and unique black wall light. This square fixture projects a warm and non-blinding 360-degree glow that creates unforgettable lighting effects on any application. With an installation value of 3 VA and a 93 CRI, this aesthetic, sleek and bold fixture can take your outdoor space to a whole new level.

## SPECIFICATIONS:

- Voltage:** 12V AC
- Wattage:** 2
- Volt Amps:** 3
- Lumens:** 160
- Color Temp:** 2700k
- IP Rating:** 65
- CRI:** 93
- Material:** Polycarbonate
- Cable Length:** 24"



DISTANCE (M)	CENTER BEAM (lx) Eavg/Emax	ILLUMINANCE - CONE OF LIGHT	BEAM DIAMETER (m)
0.25	262 / 768		0.61
0.5	65.6 / 192		1.23
1	16.4 / 48		2.46
1.5	7.3 / 21.3		3.7
2	4.1 / 12		4.92

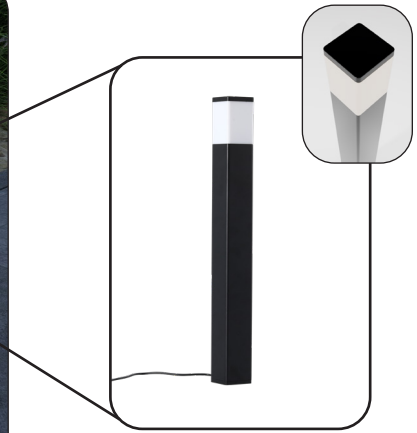
AVERAGE BEAM ANGLE 0/180 (50%): 102.5DEG



# CUBE HIGH

PL-CUBE-H-BK

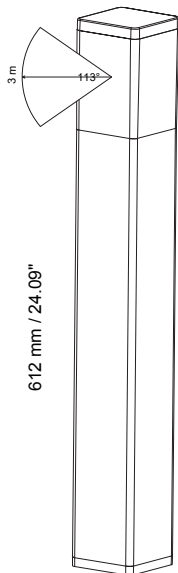
PATH LIGHT



The Cube High is a futuristic, square, and bolder version of your standard tall bollard path light. At 25 inches tall, the Cube High's towering presence, geometric shape, and diffused 360-degree glow simply can't be missed. Cube path lights are available in two heights for you to pick from.

## SPECIFICATIONS:

- Voltage:** 12V AC
- Wattage:** 1.5
- Volt Amps:** 2.5
- Lumens:** 60
- Color Temp:** 2700k
- IP Rating:** 65
- CRI:** 93
- Material:** Anodized aluminum
- Cable Length:** 24"



66mm/2.6"

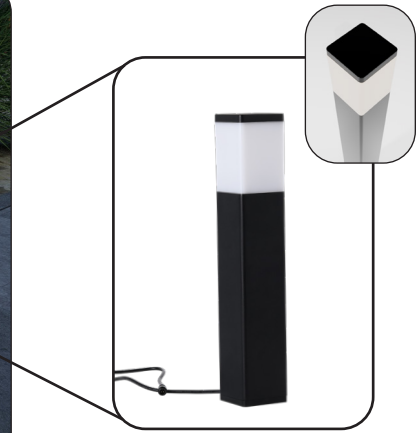
DISTANCE (M)	CENTER BEAM (lx) Eavg/Emax	ILLUMINANCE - CONE OF LIGHT	BEAM DIAMETER (m)
0.25	3.6 / 120		0.55
0.5	0.9/ 30.4		1.1
0.75	0.4/ 13.6		1.7
1	0.22/ 7.6		2.2
1.5	0.1 / 3.4		3.3

AVERAGE BEAM ANGLE 90/270 (50%): 113 DEG



# CUBE LOW PL-CUBE-L-BK

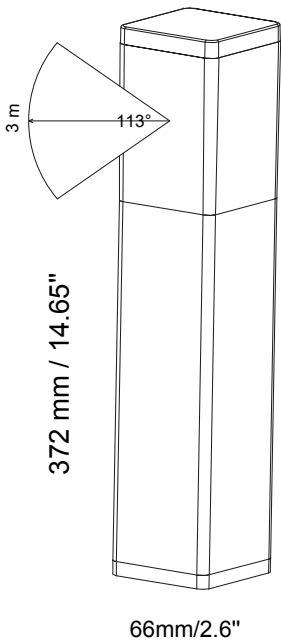
PATH LIGHT



The Cube Low is a futuristic and bolder version of your standard short bollard path light. At 15 inches tall, the Cube Low's compact size, geometrical shape, and diffused 360-degree glow will accent any outdoor space design to perfection. Cube path lights are available in 2 heights.

## SPECIFICATIONS:

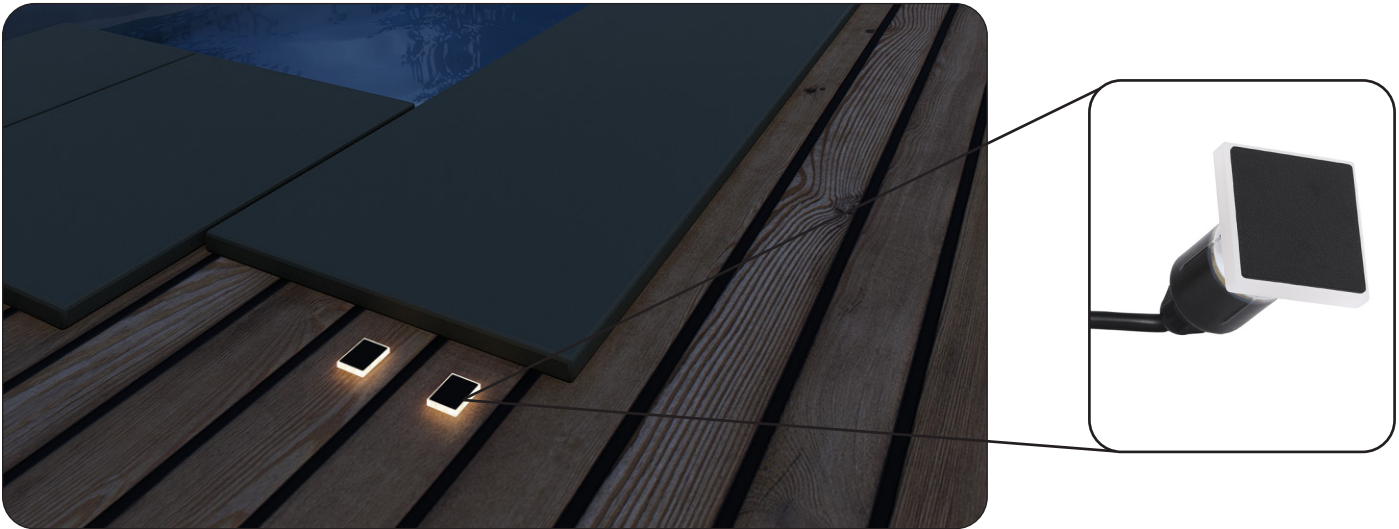
- Voltage:** 12V AC
- Wattage:** 1.5
- Volt Amps:** 2.5
- Lumens:** 60
- Color Temp:** 2700k
- IP Rating:** 65
- CRI:** 93
- Material:** Anodized aluminum
- Cable Length:** 24"



DISTANCE (M)	CENTER BEAM (lx) Eavg/Emax	ILLUMINANCE - CONE OF LIGHT	BEAM DIAMETER (m)
0.25	3.6 / 120		0.55
0.5	0.9 / 30.4		1.1
0.75	0.4 / 13.6		1.7
1	0.22 / 7.6		2.2
1.5	0.1 / 3.4		3.3

AVERAGE BEAM ANGLE 90/270 (50%): 113 DEG

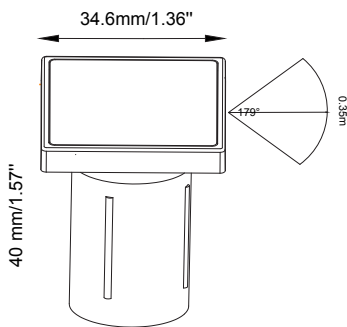




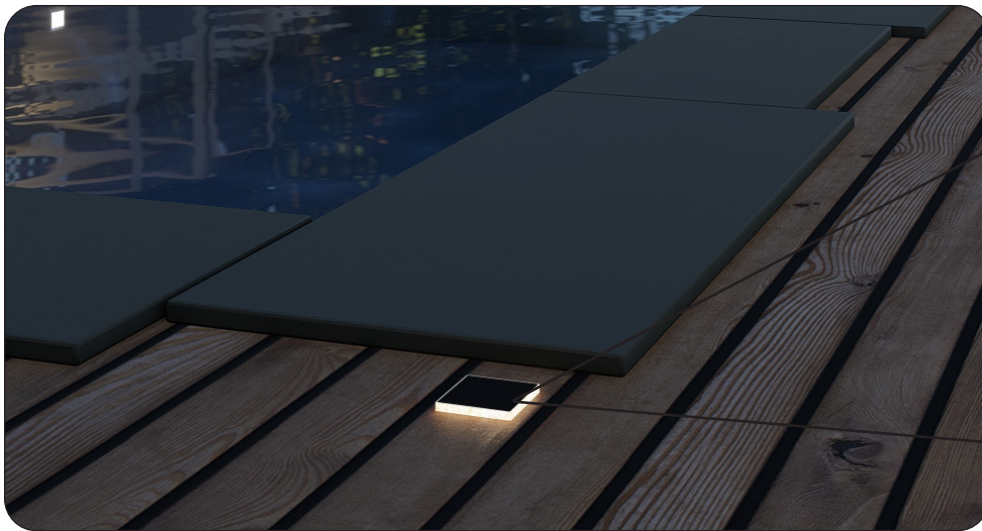
The Cube Mini is part of BOLD's high-end, durable and modern 7/8" (22mm) recessed fixtures. With its 93 CRI, square design, partially covered light source and 360-degree warm glow, you can create unique ambient lighting effects and modern designs, minus the glare. You can safely walk over these raised recessed lights: their low-profile ensures they are not a tripping hazard. The slim design also removes the need to worry about shovelling or accidentally pulling up the fixture. They are completely safe to drive over: cars, trucks, heavy construction equipment, you name it - these fixtures are designed to withstand heavy weights.

## SPECIFICATIONS:

- Voltage:** 12V AC
- Wattage:** 0.5
- Volt Amps:** 0.8
- Lumens:** 3
- Color Temp:** 2700k
- IP Rating:** 67
- CRI:** 93
- Material:** Polycarbonate
- Cable Length:** 36"



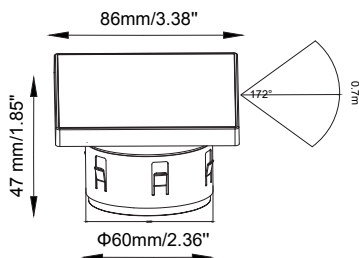
DISTANCE (M)	CENTER BEAM (lx) Eavg/Emax	ILLUMINANCE - CONE OF LIGHT	BEAM DIAMETER (m)
0.1	1.7 / 125		0.21
0.25	0.272 / 20		0.525
0.35	0.136 / 10.2		0.735
0.5	0.068 / 5.0		1.05
1	0.017 / 1.25		2.1



The Cube is part of BOLD’s high-end, durable and modern 2 3/8” (60mm) recessed fixtures. With its 93 CRI, square design, partially covered light source and 360-degree warm glow, you can create unique ambient lighting effects and modern designs, minus the glare. You can safely walk over these raised recessed lights: their low-profile ensures they are not a tripping hazard. The slim design also removes the need to worry about shovelling or accidentally pulling up the fixture. They are completely safe to drive over: cars, trucks, heavy construction equipment, you name it - these fixtures are designed to withstand heavy weights.

**SPECIFICATIONS:**

- Voltage:** 12V AC
- Wattage:** 1.5
- Volt Amps:** 2.5
- Lumens:** 11
- Color Temp:** 2700k
- IP Rating:** 67
- CRI:** 93
- Material:** Polycarbonate
- Cable Length:** 36”



DISTANCE (M)	CENTER BEAM (lx) Eavg/Emax	ILLUMINANCE - CONE OF LIGHT	BEAM DIAMETER (m)
0.1	18.5 / 540		0.08
0.25	4.64 / 86.4		0.20
0.5	1.16 / 21.6		0.39
0.7	0.58 / 10.8		0.55
1	0.29 / 5.4		0.78





The Dax High is a modern and clean low voltage path light. At 19.3 inches high, this sleek fixture casts a warm and distinct triangular beam that is sure to leave a long-lasting first impression. Dax pathlights come in two different heights and both consume 4.5 VA with a high CRI of 92.5.

The adjustable light source can be tilted and adjusted 360 degrees to ensure the perfect light angle and distribution for every application.

## SPECIFICATIONS:

**Voltage:** 12V AC

**Wattage:** 3

**Volt Amps:** 4.5

**Lumens:** 160

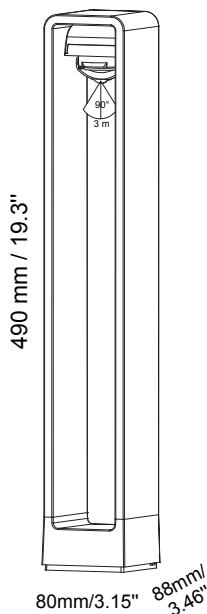
**Color Temp:** 2700k

**IP Rating:** 65

**CRI:** 92.5

**Material:** Anodized aluminum

**Cable Length:** 24"



DISTANCE (M)	CENTER BEAM (lx) Eavg/Emax	ILLUMINANCE - CONE OF LIGHT	BEAM DIAMETER (m)
0.5	187.2 / 302.8		1.0
1	46.8 / 75.7		2.0
2	11.7 / 18.9		4.0
3	5.2 / 8.4		6.0
4	2.9 / 4.7		8.0

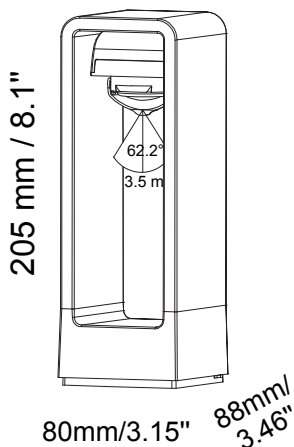


The Dax Low is a modern and clean low voltage path light. At 11 inches high, this dark, compact, and sleek fixture casts a warm and distinct triangular beam that is sure to leave a long-lasting first impression. Dax pathlights come in two different heights and both consume 4.5 VA with a high CRI of 92.5.

The adjustable light source can be tilted and adjusted 360 degrees to ensure the perfect light angle and distribution for every application

### SPECIFICATIONS:

- Voltage:** 12V AC
- Wattage:** 3
- Volt Amps:** 4.5
- Lumens:** 160
- Color Temp:** 2700k
- IP Rating:** 65
- CRI:** 92.5
- Material:** Anodized aluminum
- Cable Length:** 24"



DISTANCE (M)	CENTER BEAM (lx) Eavg/Emax	ILLUMINANCE - CONE OF LIGHT	BEAM DIAMETER (m)
0.5	311 / 503		0.68
1	78 / 126		1.36
2	19.5 / 31.5		2.72
3	8.6 / 14		4.1
4	4.8 / 7.8		5.45

# DAX UP DOWN

WL-DAX-UD-BK

WALL LIGHT



The Dax Up Down is a modern, dark and compact low voltage wall light that projects an upwards and downwards sharp triangular beam. Included in the box is a lens cover that can be used to transform this fixture into a one directional light: cover the top lens to have the light only shine down or cover the bottom lens to have light only projecting upwards. Encased in high-end black aluminum, this elegant fixture plays an essential part in creating unique lighting designs. Install it in groups of 2 or more and pair it up with other products from the Dax product line to transform any outdoor space.

## SPECIFICATIONS:

**Wattage:** 6

**Volt Amps:** 10.5

**Lumens:** 320

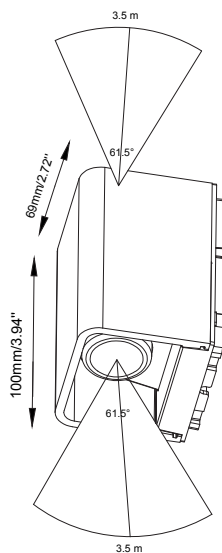
**Color Temp:** 2700k

**IP Rating:** 65

**CRI:** 92.5

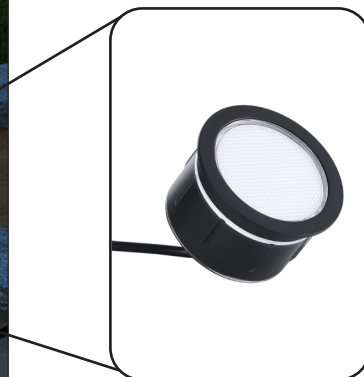
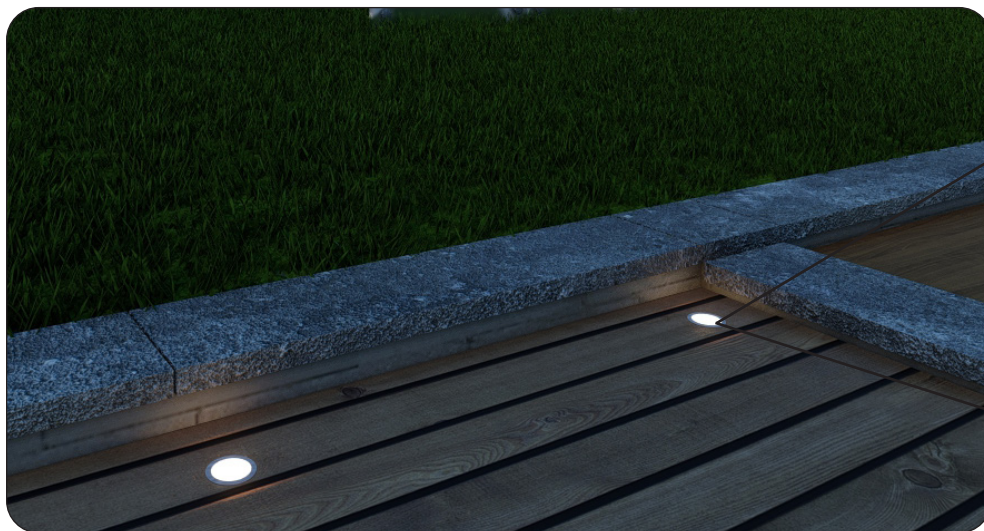
**Material:** Anodized aluminum

**Cable Length:** 48"



DISTANCE (M)	CENTER BEAM (lx) Eavg/Emax	ILLUMINANCE - CONE OF LIGHT	BEAM DIAMETER (m)
0.5	312 / 568		0.68
1	78 / 142		1.36
2	19.5 / 35.5		2.72
3	8.6 / 15.7		4.1
4	4.8 / 8.8		5.45

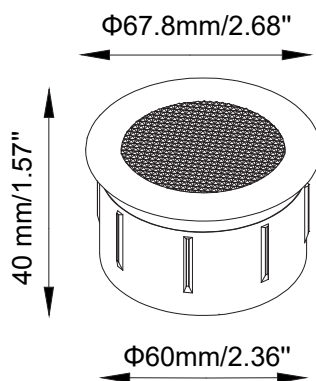




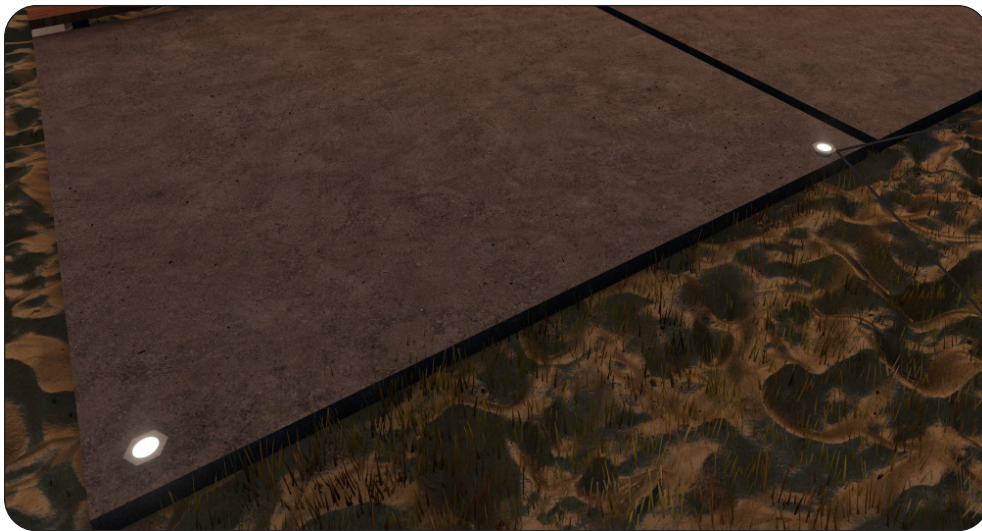
The Diamond (with a black ring) is part of BOLD's high-end, durable and diffused 2 3/8" (60mm) ringed recessed fixtures. Framed with a black aluminum ring, this fixture shines a beautiful diffused light through a diamond-style lens to excel at uniform light distribution without any LED diodes visible. These fixtures can be used to create beautiful and romantic atmospheres with their gentle light output and are perfect for high traffic areas, stairs, and more. The Diamond product line presents different fixture sizes, ring shapes, and finishes you can choose from to uplift, accent, and customize your outdoor spaces.

### SPECIFICATIONS:

- Voltage:** 12V AC
- Wattage:** 0.4
- Volt Amps:** 0.7
- Lumens:** 16
- Color Temp:** 2700k
- IP Rating:** 67
- CRI:** 93
- Material:** Anodized Aluminum
- Cable Length:** 36"



DISTANCE (M)	CENTER BEAM (lx) Eavg/Emax	ILLUMINANCE - CONE OF LIGHT	BEAM DIAMETER (m)
0.25	36.5 / 156.2		0.07
0.5	9.1 / 39.2		0.14
1	3 / 9.8		0.29
1.5	1.33 / 4.36		0.44
2	0.75 / 2.45		0.57



The Diamond (with a hexagonal black ring) is part of BOLD's high-end, durable and diffused 2 3/8" (60mm) ringed recessed fixtures. Framed with a hexagonal black aluminum ring, this fixture shines a beautiful diffused light through a diamond-style lens to excel at uniform light distribution without any LED diodes visible. These fixtures can be used to create beautiful and romantic atmospheres with their gentle light output and are perfect for high traffic areas, stairs, and more. The Diamond product line presents different fixture sizes, ring shapes, and finishes you can choose from to uplift, accent, and customize your outdoor spaces.

## SPECIFICATIONS:

**Voltage:** 12V AC

**Wattage:** 0.4

**Volt Amps:** 0.7

**Lumens:** 16

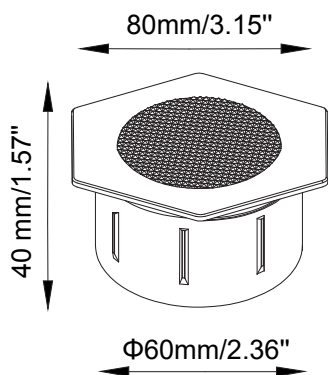
**Color Temp:** 2700k

**IP Rating:** 67

**CRI:** 93

**Material:** Anodized Aluminum

**Cable Length:** 36"

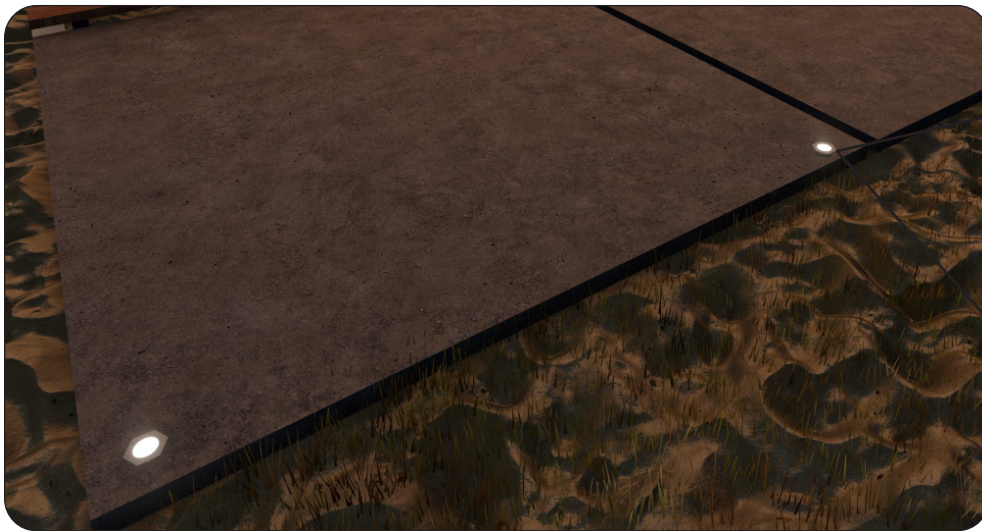


DISTANCE (M)	CENTER BEAM (lx) Eavg/Emax	ILLUMINANCE - CONE OF LIGHT	BEAM DIAMETER (m)
0.25	36.5 / 156.2		0.07
0.5	9.1 / 39.2		0.14
1	3 / 9.8		0.29
1.5	1.33 / 4.36		0.44
2	0.75 / 2.45		0.57

# DIAMOND HEX

RL-DIAMOND-HX-60-SS

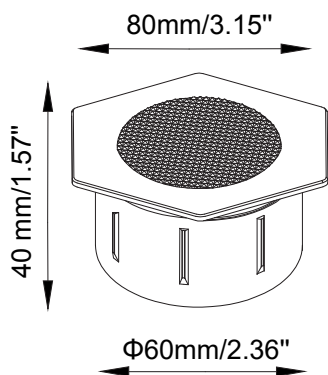
RECESSED LIGHT



The Diamond (with a hexagonal stainless steel ring) is part of BOLD's high-end, durable and diffused 2 3/8" (60mm) ringed recessed fixtures. Framed with a hexagonal stainless steel ring, this fixture shines a beautiful diffused light through a diamond-style lens to excel at uniform light distribution without any LED diodes visible. These fixtures can be used to create beautiful and romantic atmospheres with their gentle light output and are perfect for high traffic areas, stairs, and more. The Diamond product line presents different fixture sizes, ring shapes, and finishes you can choose from to uplight, accent, and customize your outdoor spaces.

## SPECIFICATIONS:

- Voltage:** 12V AC
- Wattage:** 0.4
- Volt Amps:** 0.7
- Lumens:** 16
- Color Temp:** 2700k
- IP Rating:** 67
- CRI:** 93
- Material:** Stainless Steel
- Cable Length:** 36"



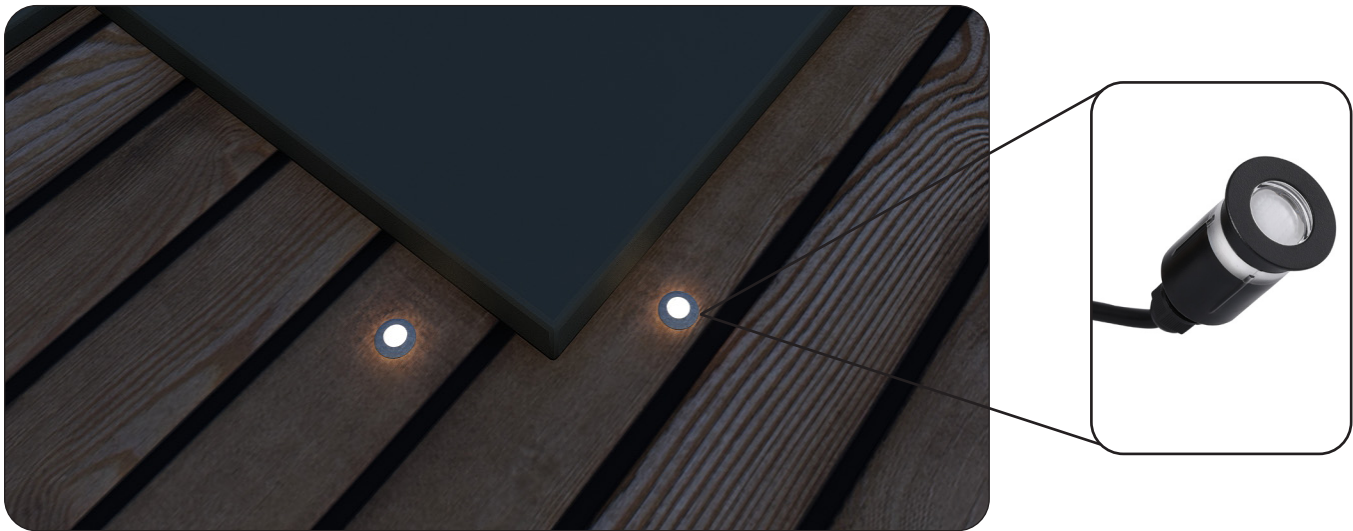
DISTANCE (M)	CENTER BEAM (lx) Eavg/Emax	ILLUMINANCE - CONE OF LIGHT	BEAM DIAMETER (m)
0.25	36.5 / 156.2		0.07
0.5	9.1 / 39.2		0.14
1	3 / 9.8		0.29
1.5	1.33 / 4.36		0.44
2	0.75 / 2.45		0.57



# DIAMOND MINI

RL-DIAMOND-22-BK

RECESSED LIGHT



The Diamond Mini (with a black ring) is part of BOLD's high-end, durable and diffused 7/8" (22mm) ringed recessed fixtures. Framed with a black aluminum ring, this compact fixture shines a beautiful diffused light through a diamond-style lens to excel at uniform light distribution without any LED diodes visible. These fixtures can be used to create beautiful and romantic atmospheres with their gentle light output and are perfect for high traffic areas, stair risers, and more. The Diamond product line presents different fixture sizes, ring shapes, and finishes you can choose from to uplight, accent, and customize your outdoor spaces.

## SPECIFICATIONS:

**Voltage:** 12V AC

**Wattage:** 0.1

**Volt Amps:** 0.15

**Lumens:** 2

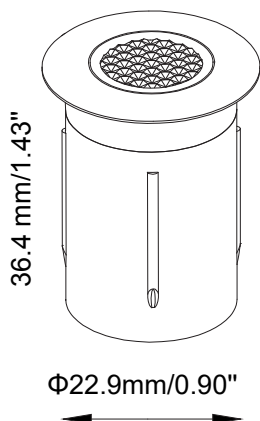
**Color Temp:** 2700k

**IP Rating:** 67

**CRI:** 93

**Material:** Anodized Aluminum

**Cable Length:** 36"



DISTANCE (M)	CENTER BEAM (lx) Eavg/Emax	ILLUMINANCE - CONE OF LIGHT	BEAM DIAMETER (m)
0.1	31 / 103		0.03
0.2	7.75 / 25.75		0.06
0.3	3.44 / 11.44		0.09
0.4	1.94 / 6.44		0.12
0.5	1.24 / 4.12		0.15
1	0.33 / 1.06		0.29





The Diamond Mini (with a hexagonal black ring) is part of BOLD's high-end, durable and diffused 7/8" (22mm) ringed recessed fixtures. Framed with a hexagon shaped ring in black aluminium, this compact fixture shines a beautiful diffused light through a diamond-style lens to excel at uniform light distribution without any LED diodes visible. These fixtures can be used to create beautiful and romantic atmospheres with their gentle light output and are perfect for high traffic areas, stair risers, and more. The Diamond product line presents different fixture sizes, ring shapes, and finishes you can choose from to uplight, accent, and customize your outdoor spaces.

## SPECIFICATIONS:

**Voltage:** 12V AC

**Wattage:** 0.1

**Volt Amps:** 0.15

**Lumens:** 2

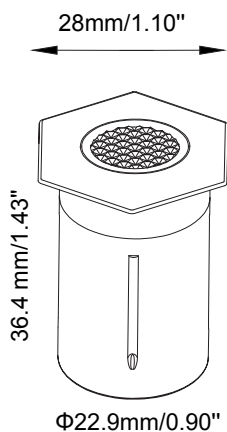
**Color Temp:** 2700k

**IP Rating:** 67

**CRI:** 93

**Material:** Anodized Aluminum

**Cable Length:** 36"



DISTANCE (M)	CENTER BEAM (lx) Eavg/Emax	ILLUMINANCE - CONE OF LIGHT	BEAM DIAMETER (m)
0.1	31 / 103		0.03
0.2	7.75 / 25.75		0.06
0.3	3.44 / 11.44		0.09
0.4	1.94 / 6.44		0.12
0.5	1.24 / 4.12		0.15
1	0.33 / 1.06		0.29



# DIAMOND MINI HEX

RL-DIAMOND-HX-22-SS

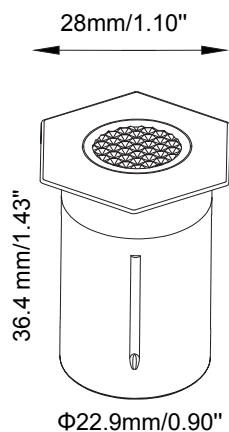
RECESSED LIGHT



The Diamond Mini (with a hexagonal stainless steel ring) is part of BOLD's high-end, durable and diffused 7/8" (22mm) ringed recessed fixtures. Framed with a hexagon shaped ring in stainless steel, this compact fixture shines a beautiful diffused light through a diamond-style lens to excel at uniform light distribution without any LED diodes visible. These fixtures can be used to create beautiful and romantic atmospheres with their gentle light output and are perfect for high traffic areas, stair risers, and more. The Diamond product line presents different fixture sizes, ring shapes, and finishes you can choose from to uplight, accent, and customize your outdoor spaces.

## SPECIFICATIONS:

- Voltage:** 12V AC
- Wattage:** 0.1
- Volt Amps:** 0.15
- Lumens:** 2
- Color Temp:** 2700k
- IP Rating:** 67
- CRI:** 93
- Material:** Stainless Steel
- Cable Length:** 36"



DISTANCE (M)	CENTER BEAM (lx) Eavg/Emax	ILLUMINANCE - CONE OF LIGHT	BEAM DIAMETER (m)
0.1	31 / 103		0.03
0.2	7.75 / 25.75		0.06
0.3	3.44 / 11.44		0.09
0.4	1.94 / 6.44		0.12
0.5	1.24 / 4.12		0.15
1	0.33 / 1.06		0.29



# DIAMOND MINI

RL-DIAMOND-22-NR

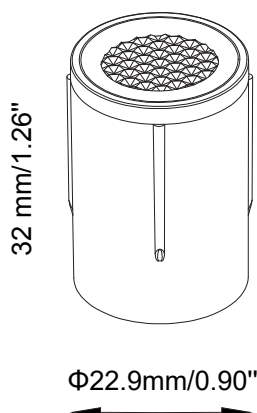
RECESSED LIGHT



The Diamond Mini (with no ring) is part of BOLD's high-end, durable and diffused 7/8" (22mm) recessed fixtures. This elegant and compact light has no ring, which makes it ideal for discreet lighting applications. The Diamond Mini shines a beautiful diffused light through a diamond-style lens to excel at uniform light distribution without any LED diodes visible. These fixtures can be used to create beautiful and romantic atmospheres with their gentle light output and are perfect for high traffic areas, stair risers, and more. The Diamond product line presents different fixture sizes, ring options, and finishes you can choose from to uplight, accent, and customize your outdoor spaces.

## SPECIFICATIONS:

- Voltage:** 12V AC
- Wattage:** 0.1
- Volt Amps:** 0.15
- Lumens:** 2
- Color Temp:** 2700k
- IP Rating:** 67
- CRI:** 93
- Material:** Polycarbonate
- Cable Length:** 36"



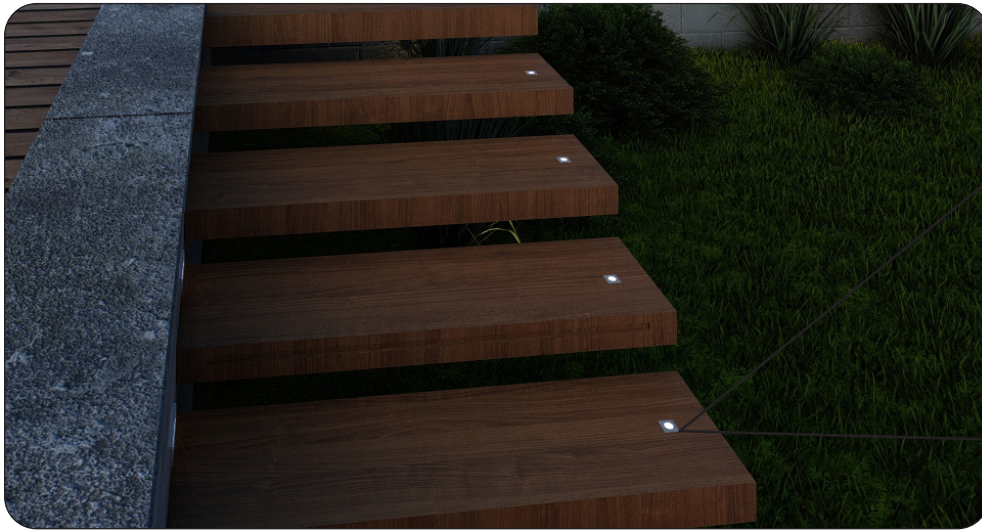
DISTANCE (M)	CENTER BEAM (lx) Eavg/Emax	ILLUMINANCE - CONE OF LIGHT	BEAM DIAMETER (m)
0.1	31 / 103		0.03
0.2	7.75 / 25.75		0.06
0.3	3.44 / 11.44		0.09
0.4	1.94 / 6.44		0.12
0.5	1.24 / 4.12		0.15
1	0.31 / 1.03		0.3



# DIAMOND MINI SQUARE

RL-DIAMOND-SQ-22-BK

RECESSED LIGHT



The Diamond Mini (with a square black ring) is part of BOLD's high-end, durable and diffused 7/8" (22mm) ringed recessed fixtures. Framed with a square black aluminum ring, in black aluminium, this compact fixture shines a beautiful diffused light through a diamond-style lens to excel at uniform light distribution without any LED diodes visible. These fixtures can be used to create beautiful and romantic atmospheres with their gentle light output and are perfect for high traffic areas, stair risers, and more. The Diamond product line presents different fixture sizes, ring shapes, and finishes you can choose from to uplight, accent, and customize your outdoor spaces.

## SPECIFICATIONS:

**Voltage:** 12V AC

**Wattage:** 0.1

**Volt Amps:** 0.15

**Lumens:** 2

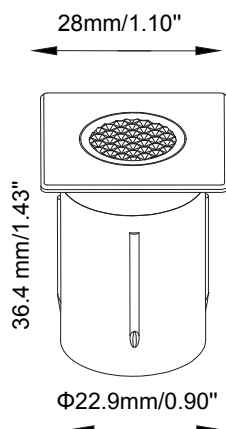
**Color Temp:** 2700k

**IP Rating:** 67

**CRI:** 93

**Material:** Anodized Aluminum

**Cable Length:** 36"



DISTANCE (M)	CENTER BEAM (lx) Eavg/Emax	ILLUMINANCE - CONE OF LIGHT	BEAM DIAMETER (m)
0.1	31 / 103		0.03
0.2	7.75/ 25.75		0.06
0.3	3.44 / 11.44		0.09
0.4	1.94/ 6.44		0.12
0.5	1.24 / 4.12		0.15
1	0.33 / 1.06		0.29



# DIAMOND MINI SQUARE

RL-DIAMOND-SQ-22-SS

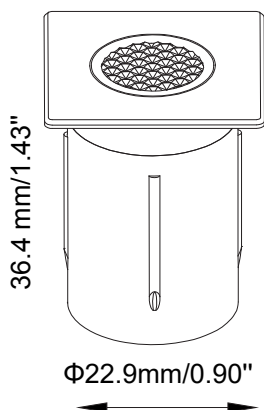
RECESSED LIGHT



The Diamond Mini (with a square stainless steel ring) is part of BOLD's high-end, durable and diffused 7/8" (22mm) ringed recessed fixtures. Framed with a square shaped ring in stainless steel, this compact fixture shines a beautiful diffused light through a diamond-style lens to excel at uniform light distribution without any LED diodes visible. These fixtures can be used to create beautiful and romantic atmospheres with their gentle light output and are perfect for high traffic areas, stair risers, and more. The Diamond product line presents different fixture sizes, ring shapes, and finishes you can choose from to uplight, accent, and customize your outdoor spaces.

## SPECIFICATIONS:

- Voltage:** 12V AC
- Wattage:** 0.1
- Volt Amps:** 0.15
- Lumens:** 2
- Color Temp:** 2700k
- IP Rating:** 67
- CRI:** 93
- Material:** Stainless Steel
- Cable Length:** 36"



DISTANCE (M)	CENTER BEAM (lx) Eavg/Emax	ILLUMINANCE - CONE OF LIGHT	BEAM DIAMETER (m)
0.1	31 / 103		0.03
0.2	7.75 / 25.75		0.06
0.3	3.44 / 11.44		0.09
0.4	1.94 / 6.44		0.12
0.5	1.24 / 4.12		0.15
1	0.33 / 1.06		0.29



# DIAMOND MINI

RL-DIAMOND-22-SS

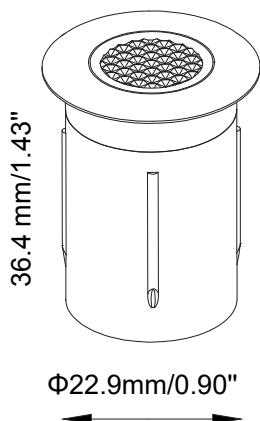
RECESSED LIGHT



The Diamond Mini (with a stainless steel ring) is part of BOLD's high-end, durable and diffused 7/8" (22mm) ringed recessed fixtures. Framed with a stainless steel ring, this compact fixture shines a beautiful diffused light through a diamond-style lens to excel at uniform light distribution without any LED diodes visible. These fixtures can be used to create beautiful and romantic atmospheres with their gentle light output and are perfect for high traffic areas, stair risers, and more. The Diamond product line presents different fixture sizes, ring shapes, and finishes you can choose from to uplight, accent, and customize your outdoor spaces.

## SPECIFICATIONS:

- Voltage:** 12V AC
- Wattage:** 0.1
- Volt Amps:** 0.15
- Lumens:** 2
- Color Temp:** 2700k
- IP Rating:** 67
- CRI:** 93
- Material:** Stainless Steel
- Cable Length:** 36"



DISTANCE (M)	CENTER BEAM (lx) Eavg/Emax	ILLUMINANCE - CONE OF LIGHT	BEAM DIAMETER (m)
0.1	31 / 103		0.03
0.2	7.75 / 25.75		0.06
0.3	3.44 / 11.44		0.09
0.4	1.94 / 6.44		0.12
0.5	1.24 / 4.12		0.15
1	0.33 / 1.06		0.29



# DIAMOND SQUARE

RL-DIAMOND-SQ-60-BK

RECESSED LIGHT



The Diamond (with a square black ring) is part of BOLD's high-end, durable and diffused 2 3/8" (60mm) ringed recessed fixtures. Framed with a square shaped black aluminum ring, this fixture shines a beautiful diffused light through a diamond-style lens to excel at uniform light distribution without any LED diodes visible. These fixtures can be used to create beautiful and romantic atmospheres with their gentle light output and are perfect for high traffic areas, stairs, and more. The Diamond product line presents different fixture sizes, ring shapes, and finishes you can choose from to uplight, accent, and customize your outdoor spaces.

## SPECIFICATIONS:

**Voltage:** 12V AC

**Wattage:** 0.4

**Volt Amps:** 0.7

**Lumens:** 16

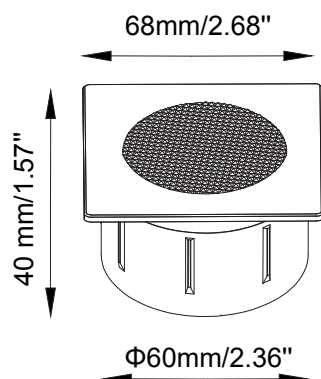
**Color Temp:** 2700k

**IP Rating:** 67

**CRI:** 93

**Material:** Anodized Aluminum

**Cable Length:** 36"



DISTANCE (M)	CENTER BEAM (lx) Eavg/Emax	ILLUMINANCE - CONE OF LIGHT	BEAM DIAMETER (m)
0.25	36.5 / 156.2		0.07
0.5	9.1 / 39.2		0.14
1	3 / 9.8		0.29
1.5	1.33 / 4.36		0.44
2	0.75 / 2.45		0.57



# DIAMOND SQUARE RL-DIAMOND-SQ-60-SS

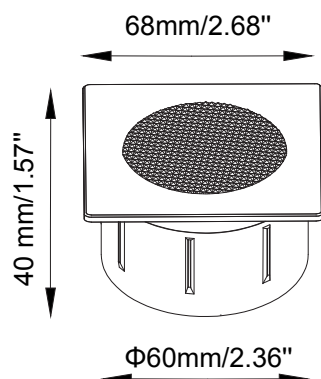
RECESSED LIGHT



The Diamond (with a square stainless steel ring) is part of BOLD's high-end, durable and diffused 2 3/8" (60mm) ringed recessed fixtures. Framed with a square shaped stainless steel ring, this fixture shines a beautiful diffused light through a diamond-style lens to excel at uniform light distribution without any LED diodes visible. These fixtures can be used to create beautiful and romantic atmospheres with their gentle light output and are perfect for high traffic areas, stairs, and more. The Diamond product line presents different fixture sizes, ring shapes, and finishes you can choose from to uplight, accent, and customize your outdoor spaces.

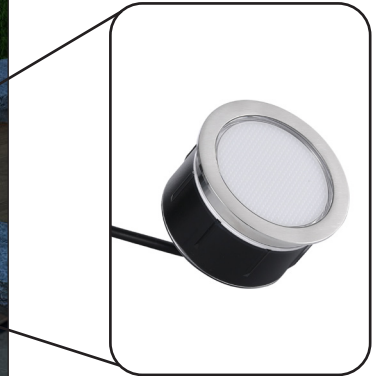
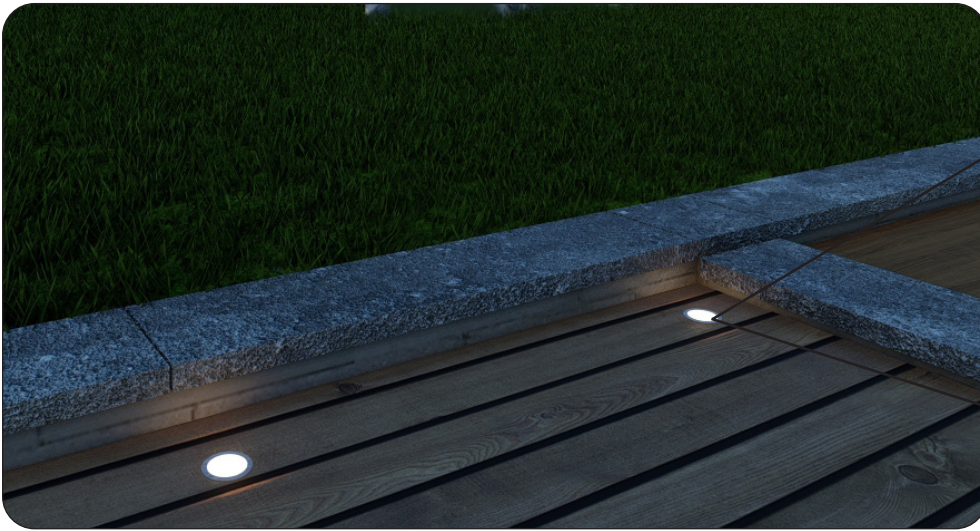
## SPECIFICATIONS:

- Voltage:** 12V AC
- Wattage:** 0.4
- Volt Amps:** 0.7
- Lumens:** 16
- Color Temp:** 2700k
- IP Rating:** 67
- CRI:** 93
- Material:** Stainless Steel
- Cable Length:** 36"



DISTANCE (M)	CENTER BEAM (lx) Eavg/Emax	ILLUMINANCE - CONE OF LIGHT	BEAM DIAMETER (m)
0.25	36.5 / 156.2		0.07
0.5	9.1 / 39.2		0.14
1	3 / 9.8		0.29
1.5	1.33 / 4.36		0.44
2	0.75 / 2.45		0.57

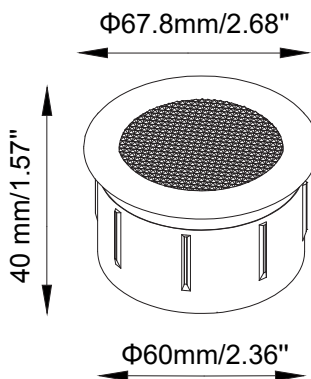




The Diamond (with a stainless steel ring) is part of BOLD's high-end, durable and diffused 2 3/8" (60mm) ringed recessed fixtures. Framed with a stainless steel ring, this fixture shines a beautiful diffused light through a diamond-style lens to excel at uniform light distribution without any LED diodes visible. These fixtures can be used to create beautiful and romantic atmospheres with their gentle light output and are perfect for high traffic areas, stairs, and more. The Diamond product line presents different fixture sizes, ring shapes, and finishes you can choose from to uplift, accent, and customize your outdoor spaces.

### SPECIFICATIONS:

- Voltage:** 12V AC
- Wattage:** 0.4
- Volt Amps:** 0.7
- Lumens:** 16
- Color Temp:** 2700k
- IP Rating:** 67
- CRI:** 93
- Material:** Stainless Steel
- Cable Length:** 36"



DISTANCE (M)	CENTER BEAM (lx) Eavg/Emax	ILLUMINANCE - CONE OF LIGHT	BEAM DIAMETER (m)
0.25	36.5 / 156.2		0.07
0.5	9.1 / 39.2		0.14
1	3 / 9.8		0.29
1.5	1.33 / 4.36		0.44
2	0.75 / 2.45		0.57



# DOME MINI

WL-DOME-60-BK

WALL LIGHT



The Dome Mini (in black) is a compact, round and powerful wall light. With a partially covered light source, this 2.5" fixture is an asset when designing lighting projects for decks, posts, fences, walls, and more. Available in black and white finish. Its sleek and slim design makes it a subtle addition to any project while still giving off a beautiful light.

## SPECIFICATIONS:

**Voltage:** 12V AC

**Wattage:** 0.5

**Volt Amps:** 0.6

**Lumens:** 24

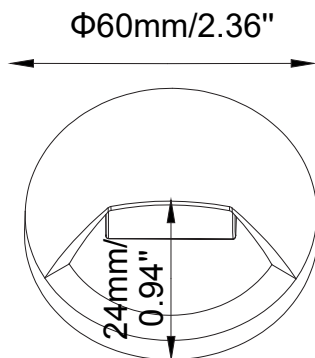
**Color Temp:** 2700k

**IP Rating:** 65

**CRI:** 94

**Material:** Anodized aluminum

**Cable Length:** 24"



DISTANCE (M)	CENTER BEAM (lx) Eavg/Emax	ILLUMINANCE - CONE OF LIGHT	BEAM DIAMETER (m)
0.25	107.8 / 236.3		0.37
0.5	27.0 / 59		0.75
1	6.74 / 14.77		1.49
1.5	3.0 / 6.6		2.24
2	1.7 / 3.7		2.98



# DOME MINI

WL-DOME-60-WT

WALL LIGHT



## SPECIFICATIONS:

**Voltage:** 12V AC

**Wattage:** 0.5

**Volt Amps:** 0.6

**Lumens:** 24

**Color Temp:** 2700k

**IP Rating:** 65

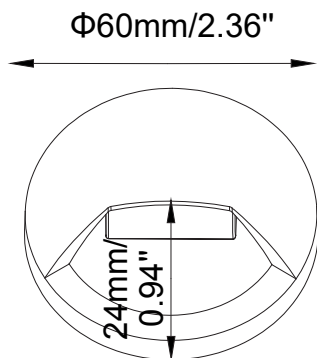
**CRI:** 94

**Material:** Anodized aluminum

**Cable Length:** 24"



The Dome Mini (in white) is a compact, round and elegant wall light. With a partially covered light source, this 2.5" fixture is an asset when designing lighting projects for decks, posts, fences, walls, and more. Available in black and white finish. Its sleek and slim design makes it a subtle addition to any project while still giving off a beautiful light.



DISTANCE (M)	CENTER BEAM (lx) Eavg/Emax	ILLUMINANCE - CONE OF LIGHT	BEAM DIAMETER (m)
0.25	107.8 / 236.3		0.37
0.5	27.0 / 59		0.75
1	6.74 / 14.77		1.49
1.5	3.0 / 6.6		2.24
2	1.7 / 3.7		2.98

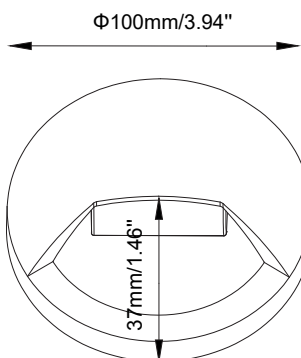




The Dome (in black) is a round and powerful wall light. With a partially covered light source, this 4” fixture is the ultimate asset when designing lighting projects for decks, posts, fences, walls, and more. Its sleek and slim design makes it a subtle addition to any project while still giving off a beautiful light.

### SPECIFICATIONS:

- Voltage:** 12V AC
- Wattage:** 1
- Volt Amps:** 1.5
- Lumens:** 55
- Color Temp:** 2700k
- IP Rating:** 65
- CRI:** 94
- Material:** Anodized aluminum
- Cable Length:** 24”

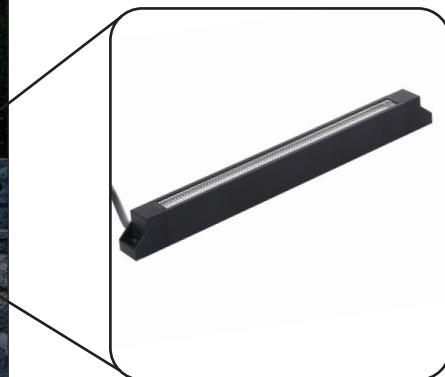


DISTANCE (M)	CENTER BEAM (lx) Eavg/Emax	ILLUMINANCE - CONE OF LIGHT	BEAM DIAMETER (m)
0.25	267.5 / 633.6		0.42
0.5	66.9 / 158.4		0.84
1	16.7 / 39.6		1.68
1.5	7.4 / 17.6		2.52
2	4.18 / 9.9		3.36

# EDGE 7 NEAT

UL-EDGE NEAT-7-BK

UNDERCAP LIGHT



The Edge 7 is a sleek and modern undercap light. This 7-inch fixture comes without brackets (for installation in decking or other applications where a bracket isn't required) and has the power to organically integrate into any hardscape thanks to its partially-hidden light source. The Edge Neat undercap lights come in 2 lengths for you to choose from and with or without brackets to create warm and inviting outdoor space designs.

## SPECIFICATIONS:

**Voltage:** 12V AC

**Wattage:** 0.5

**Volt Amps:** 0.8

**Lumens:** 25

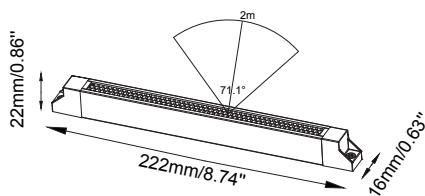
**Color Temp:** 2700k

**IP Rating:** 65

**CRI:** 93

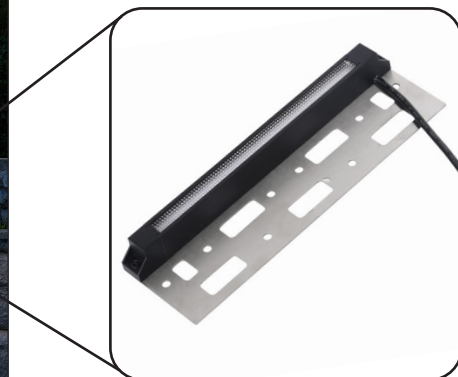
**Material:** Anodized aluminum

**Cable Length:** 48"



DISTANCE (M)	CENTER BEAM (lx) Eavg/Emax	ILLUMINANCE - CONE OF LIGHT	BEAM DIAMETER (m)
0.5	62.4 / 107.2		0.7
1	15.6 / 26.8		1.4
1.5	7.1 / 12.2		2.1
2	4.0 / 6.8		2.8
2.5	2.5 / 4.3		3.5
3	1.7 / 3.0		4.2

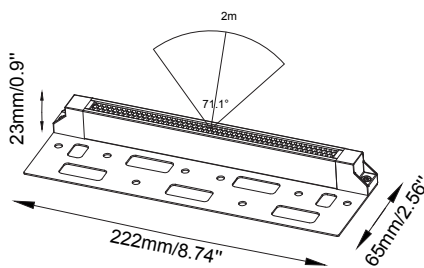




The Edge 7 is a sleek and modern undercap light. This 7-inch fixture comes included with a bracket and has the power to organically integrate into any hardscape thanks to its partially-hidden light source. The Edge undercap lights come in 2 lengths for you to choose from and with or without brackets to create warm and inviting outdoor space designs.

### SPECIFICATIONS:

- Voltage:** 12V AC
- Wattage:** 0.5
- Volt Amps:** 0.8
- Lumens:** 25
- Color Temp:** 2700k
- IP Rating:** 65
- CRI:** 93
- Material:** Anodized aluminum
- Cable Length:** 48"



DISTANCE (M)	CENTER BEAM (lx) Eavg/Emax	ILLUMINANCE - CONE OF LIGHT	BEAM DIAMETER (m)
0.5	62.4 / 107.2		0.7
1	15.6 / 26.8		1.4
1.5	7.1 / 12.2		2.1
2	4.0 / 6.8		2.8
2.5	2.5 / 4.3		3.5
3	1.7 / 3.0		4.2

# EDGE 21 NEAT

UL-EDGE NEAT-21-BK

UNDERCAP LIGHT



The Edge 21 is a sleek and modern undercap light. This 21-inch fixture comes without brackets (for installation in decking or other applications where a bracket isn't required) and has the power to organically integrate into any hardscape thanks to its partially-hidden light source. The Edge Neat undercap lights come in 2 lengths for you to choose from and with or without brackets to create warm and inviting outdoor space designs.

## SPECIFICATIONS:

**Voltage:** 12V AC

**Wattage:** 2

**Volt Amps:** 3.2

**Lumens:** 90

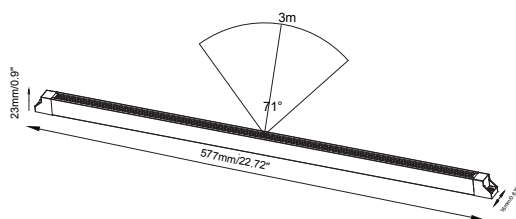
**Color Temp:** 2700k

**IP Rating:** 65

**CRI:** 93

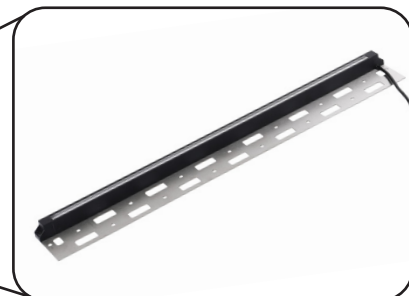
**Material:** Anodized aluminum

**Cable Length:** 48"



DISTANCE (M)	CENTER BEAM (lx) Eavg/Emax	ILLUMINANCE - CONE OF LIGHT	BEAM DIAMETER (m)
0.5	114 / 204		0.7
1	28.4 / 51		1.4
1.5	12.6 / 22.7		2.1
2	7.1 / 12.8		2.8
2.5	4.5 / 8.2		3.5
3	3.2 / 5.7		4.2

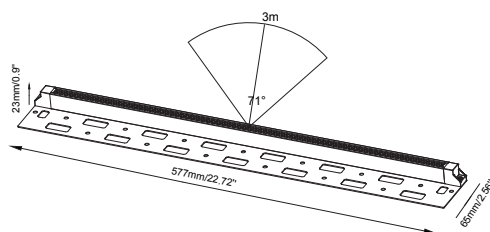




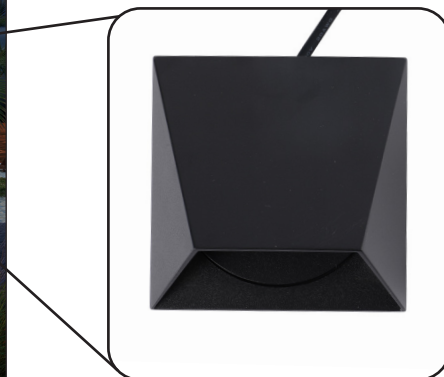
The Edge 21 is a sleek and modern undercap light. This 21-inch fixture comes included with brackets and has the power to organically integrate into any hardscape thanks to its partially-hidden light source. The Edge undercap lights come in 2 lengths for you to choose from and with or without brackets to create warm and inviting outdoor space designs.

### SPECIFICATIONS:

- Voltage:** 12V AC
- Wattage:** 2
- Volt Amps:** 3.2
- Lumens:** 90
- Color Temp:** 2700k
- IP Rating:** 65
- CRI:** 93
- Material:** Anodized aluminum
- Cable Length:** 48"



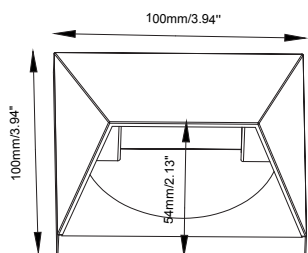
DISTANCE (M)	CENTER BEAM (lx) Eavg/Emax	ILLUMINANCE - CONE OF LIGHT	BEAM DIAMETER (m)
0.5	114 / 204		0.7
1	28.4 / 51		1.4
1.5	12.6 / 22.7		2.1
2	7.1 / 12.8		2.8
2.5	4.5 / 8.2		3.5
3	3.2 / 5.7		4.2



The Hero of all outdoor spaces. This black aluminum 10x5-inch fixture is simply a staple you can't go without for any deck, wall, fence or patio lighting design. With a whopping 94 CRI, this high-end wall light will enhance the colors and textures of walls, rock, wood, composite and stone of your outdoor spaces at night. The Hero wall lights come in two sizes and colors to choose from. Its sleek and slim design makes it a subtle addition to any project while still giving off a beautiful light.

**SPECIFICATIONS:**

- Voltage:** 12V AC
- Wattage:** 1
- Volt Amps:** 1.5
- Lumens:** 35
- Color Temp:** 2700k
- IP Rating:** 65
- CRI:** 94
- Material:** Anodized aluminum
- Cable Length:** 24"



DISTANCE (M)	CENTER BEAM (lx) Eavg/Emax	ILLUMINANCE - CONE OF LIGHT	BEAM DIAMETER (m)
0.5	105.8 / 170.4		0.57
1	26.5 / 42.6		1.13
2	6.6 / 10.65		2.27
3	2.9 / 4.73		3.40
4	1.65 / 2.66		4.53

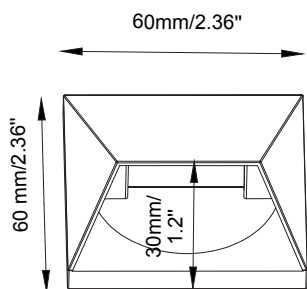




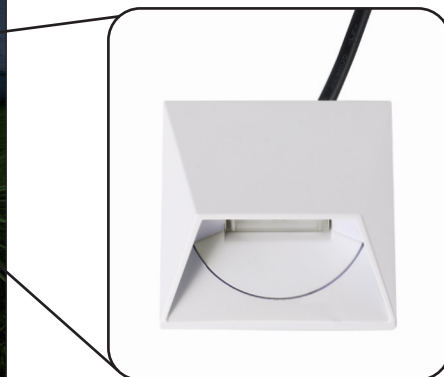
The Hero of all outdoor spaces. This small -but still powerful- black aluminum 6x2-inch fixture is simply a staple you can't go without for any deck, wall, risers, fence or patio lighting design. With a whopping 94 CRI, this high-end wall light will enhance the colors and textures of walls, rock, wood, composite and stone of your outdoor spaces at night. The Hero wall lights come in two sizes for you to choose from. Its sleek and slim design makes it a subtle addition to any project while still giving off a beautiful light.

### SPECIFICATIONS:

- Voltage:** 12V AC
- Wattage:** 0.5
- Volt Amps:** 0.6
- Lumens:** 24
- Color Temp:** 2700k
- IP Rating:** 65
- CRI:** 94
- Material:** Anodized aluminum
- Cable Length:** 24"



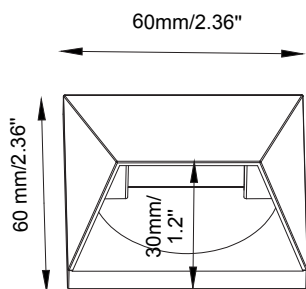
DISTANCE (M)	CENTER BEAM (lx) Eavg/Emax	ILLUMINANCE - CONE OF LIGHT	BEAM DIAMETER (m)
0.25	137.3 / 233.3		0.18
0.5	34.32/ 58.32		0.37
1	8.58 / 14.58		1.47
1.5	3.81/ 6.48		2.21
2	2.15 / 3.65		2.94



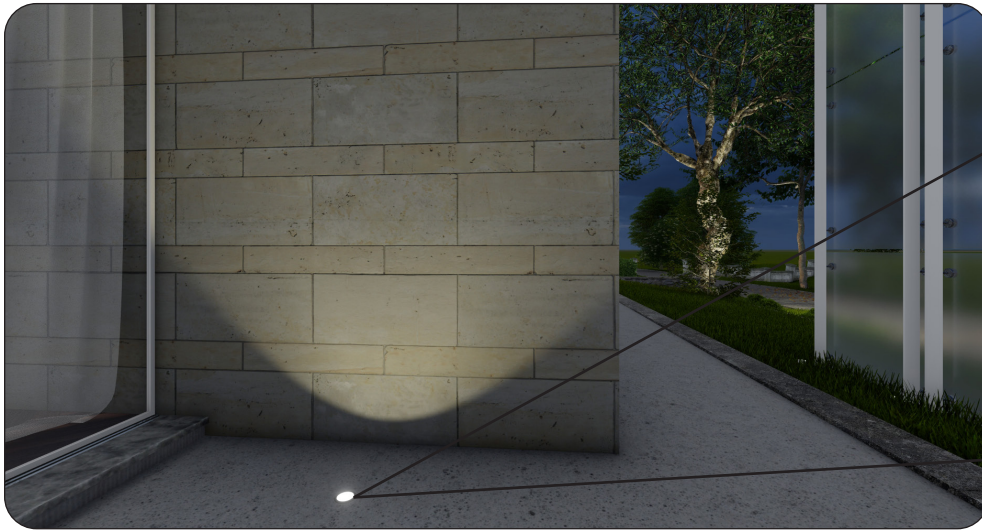
The Hero of all hardscapes. This small -but still powerful- white aluminum 6x2-inch fixture is simply a staple you can't go without for any deck, risers, wall, fence or patio lighting design. With a whopping 94 CRI, this high-end wall light will enhance the colors and textures of walls, rock, wood, composite and stone of your outdoor spaces at night. The Hero wall lights come in two sizes for you to choose from. Its sleek and slim design makes it a subtle addition to any project while still giving off a beautiful light.

### SPECIFICATIONS:

- Voltage:** 12V AC
- Wattage:** 0.5
- Volt Amps:** 0.6
- Lumens:** 24
- Color Temp:** 2700k
- IP Rating:** 65
- CRI:** 94
- Material:** Anodized aluminum
- Cable Length:** 24"



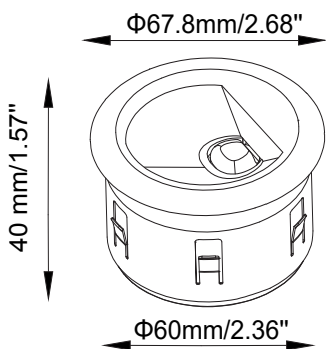
DISTANCE (M)	CENTER BEAM (lx) Eavg/Emax	ILLUMINANCE - CONE OF LIGHT	BEAM DIAMETER (m)
0.25	137.3 / 233.3		0.18
0.5	34.32 / 58.32		0.37
1	8.58 / 14.58		1.47
1.5	3.81 / 6.48		2.21
2	2.15 / 3.65		2.94



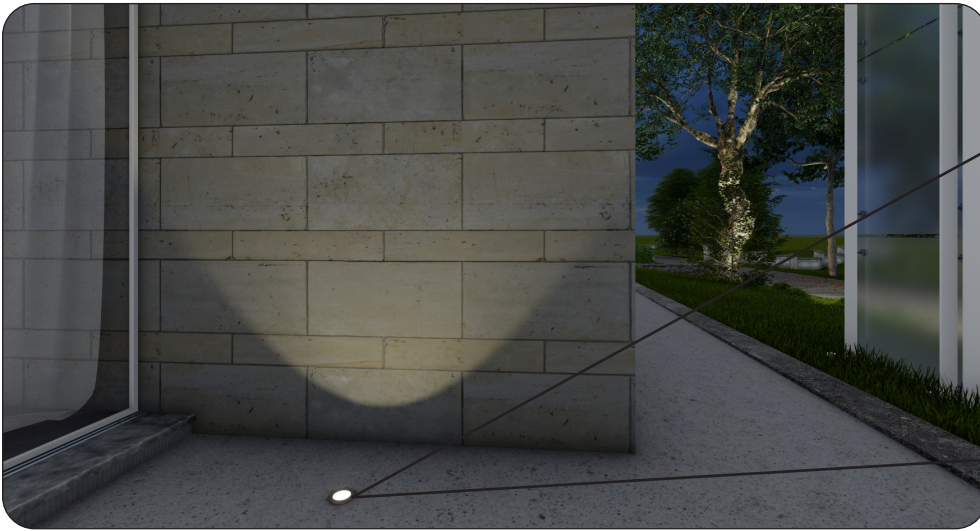
The Onyx (with a black ring) is part of BOLD's high-end, durable and dynamic 2 3/8" (60mm) recessed fixtures. This round 92.5 CRI fixture is designed to project a wide and angled upwards beam that's perfect to illuminate walls, gardens, fences, posts, tall grasses, decks, and more from the ground-up. Use the Fang accessory to install any 60mm recessed light for soft-surface applications!

**SPECIFICATIONS:**

- Voltage:** 12V AC
- Wattage:** 3
- Volt Amps:** 4.5
- Lumens:** 200
- Color Temp:** 2700k
- IP Rating:** 67
- CRI:** 92.5
- Material:** Anodized aluminum
- Cable Length:** 36"



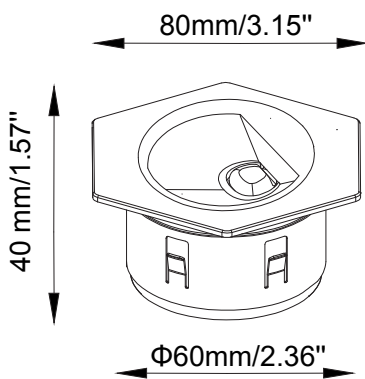
DISTANCE (M)	CENTER BEAM (lx) Eavg/Emax	ILLUMINANCE - CONE OF LIGHT	BEAM DIAMETER (m)
1	83.7 / 159.2		1.07
2	20.9 / 39.8		2.14
3	9.3 / 17.7		3.21
4	5.23 / 9.94		4.28
5	3.3 / 6.36		5.34
6	2.3 / 4.42		6.42



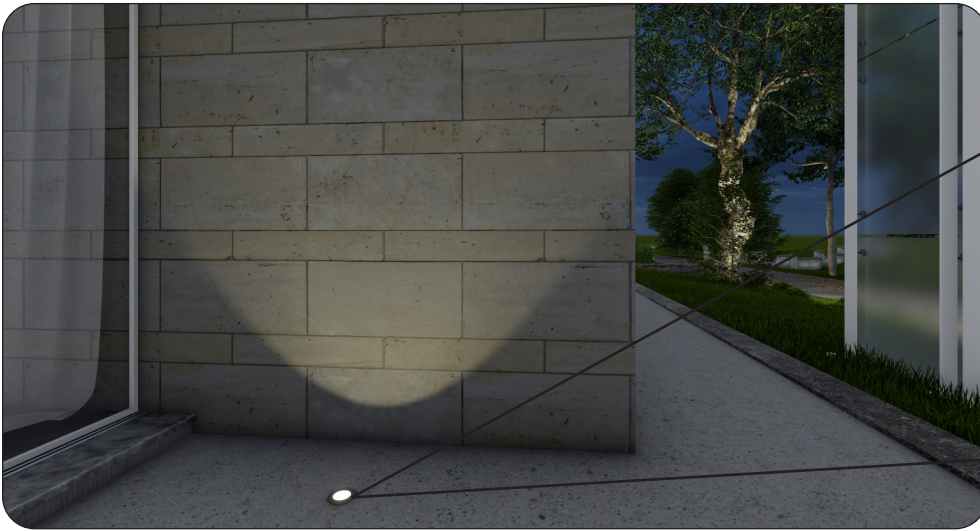
The Onyx (with a hexagon shaped black ring) is part of BOLD's high-end, durable and dynamic 2 3/8" (60mm) recessed fixtures. This hexagonal 92.5 CRI fixture is designed to project a wide and angled upwards beam that's perfect to illuminate walls, gardens, fences, posts, tall grasses, decks, and more from the ground-up. Use the Fang accessory to install any 60mm recessed light for soft-surface applications!

**SPECIFICATIONS:**

- Voltage:** 12V AC
- Wattage:** 3
- Volt Amps:** 4.5
- Lumens:** 200
- Color Temp:** 2700k
- IP Rating:** 67
- CRI:** 92.5
- Material:** Anodized aluminum
- Cable Length:** 36"



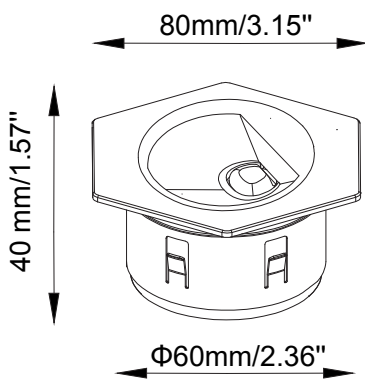
DISTANCE (M)	CENTER BEAM (lx) Eavg/Emax	ILLUMINANCE - CONE OF LIGHT	BEAM DIAMETER (m)
1	83.7 / 159.2		1.07
2	20.9 / 39.8		2.14
3	9.3 / 17.7		3.21
4	5.23 / 9.94		4.28
5	3.3 / 6.36		5.34
6	2.3 / 4.42		6.42



The Onyx (with a hexagon shaped stainless steel ring) is part of BOLD's high-end, durable and dynamic 2 3/8" (60mm) recessed fixtures. This hexagonal 92.5 CRI fixture is designed to project a wide and angled upwards beam that's perfect to illuminate walls, gardens, fences, posts, tall grasses, decks, and more from the ground-up. Use the Fang accessory to install any 60mm recessed light for soft-surface applications!

**SPECIFICATIONS:**

- Voltage:** 12V AC
- Wattage:** 3
- Volt Amps:** 4.5
- Lumens:** 200
- Color Temp:** 2700k
- IP Rating:** 67
- CRI:** 92.5
- Material:** Stainless Steel
- Cable Length:** 36"

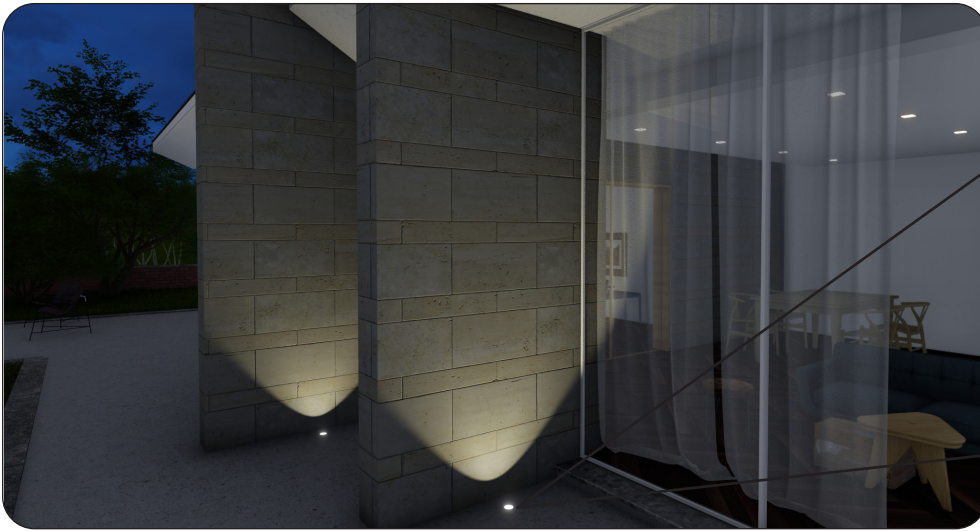


DISTANCE (M)	CENTER BEAM (lx) Eavg/Emax	ILLUMINANCE - CONE OF LIGHT	BEAM DIAMETER (m)
1	83.7 / 159.2		1.07
2	20.9 / 39.8		2.14
3	9.3 / 17.7		3.21
4	5.23 / 9.94		4.28
5	3.3 / 6.36		5.34
6	2.3 / 4.42		6.42

# ONYX SQUARE

RL-ONYX-SQ-60-BK

RECESSED LIGHT



The Onyx (with a square black ring) is part of BOLD's high-end, durable and dynamic 2 3/8" (60mm) recessed fixtures. This square 92.5 CRI fixture is designed to project a wide and angled upwards beam that's perfect to illuminate walls, gardens, fences, posts, tall grasses, decks, and more from the ground-up. Use the Fang accessory to install any 60mm recessed light for soft-surface applications!

## SPECIFICATIONS:

**Voltage:** 12V AC

**Wattage:** 3

**Volt Amps:** 4.5

**Lumens:** 200

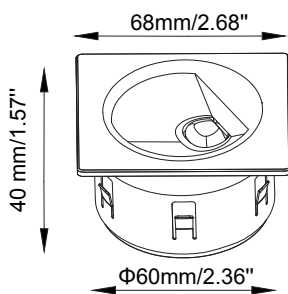
**Color Temp:** 2700k

**IP Rating:** 67

**CRI:** 92.5

**Material:** Anodized aluminum

**Cable Length:** 36"



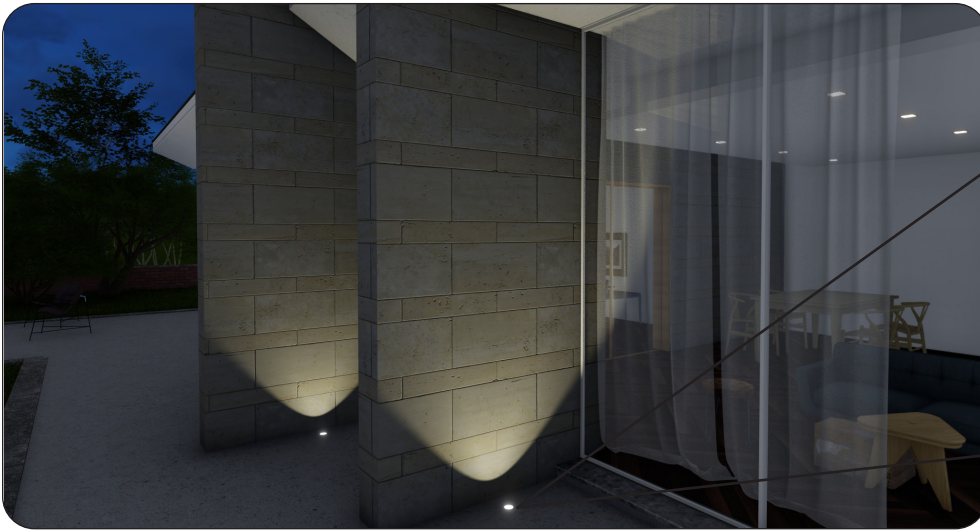
DISTANCE (M)	CENTER BEAM (lx) Eavg/Emax	ILLUMINANCE - CONE OF LIGHT	BEAM DIAMETER (m)
1	83.7 / 159.2		1.07
2	20.9 / 39.8		2.14
3	9.3 / 17.7		3.21
4	5.23 / 9.94		4.28
5	3.3 / 6.36		5.34
6	2.3 / 4.42		6.42



# ONYX SQUARE

RL-ONYX-SQ-60-SS

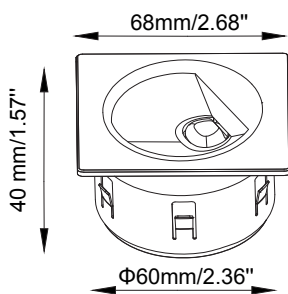
RECESSED LIGHT



The Onyx (with a square stainless steel ring) is part of BOLD's high-end, durable and dynamic 2 3/8" (60mm) recessed fixtures. This square 92.5 CRI fixture is designed to project a wide and angled upwards beam that's perfect to illuminate walls, gardens, fences, posts, tall grasses, decks, and more from the ground-up. Use the Fang accessory to install any 60mm recessed light for soft-surface applications!

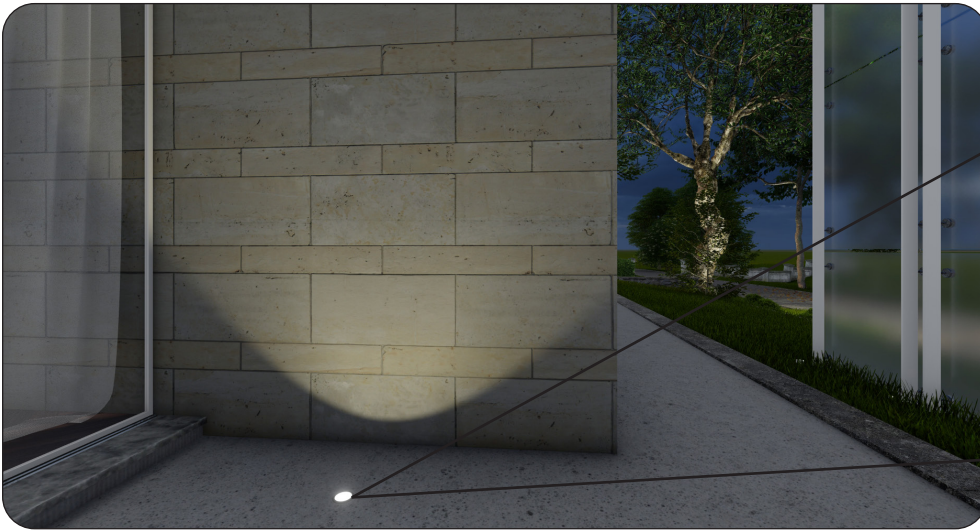
## SPECIFICATIONS:

- Voltage:** 12V AC
- Wattage:** 3
- Volt Amps:** 4.5
- Lumens:** 200
- Color Temp:** 2700k
- IP Rating:** 67
- CRI:** 92.5
- Material:** Stainless Steel
- Cable Length:** 36"



DISTANCE (M)	CENTER BEAM (lx) Eavg/Emax	ILLUMINANCE - CONE OF LIGHT	BEAM DIAMETER (m)
1	83.7 / 159.2		1.07
2	20.9 / 39.8		2.14
3	9.3 / 17.7		3.21
4	5.23 / 9.94		4.28
5	3.3 / 6.36		5.34
6	2.3 / 4.42		6.42

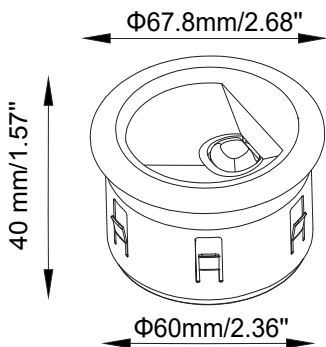




The Onyx (with a stainless steel ring) is part of BOLD's high-end, durable and dynamic 2 3/8" (60mm) recessed fixtures. This 92.5 CRI fixture is designed to project a wide and angled upwards beam that's perfect to illuminate walls, gardens, fences, posts, tall grasses, decks, and more from the ground-up. Use the Fang accessory to install any 60mm recessed light for soft-surface applications.

**SPECIFICATIONS:**

- Voltage:** 12V AC
- Wattage:** 3
- Volt Amps:** 4.5
- Lumens:** 200
- Color Temp:** 2700k
- IP Rating:** 67
- CRI:** 92.5
- Material:** Stainless Steel
- Cable Length:** 36"



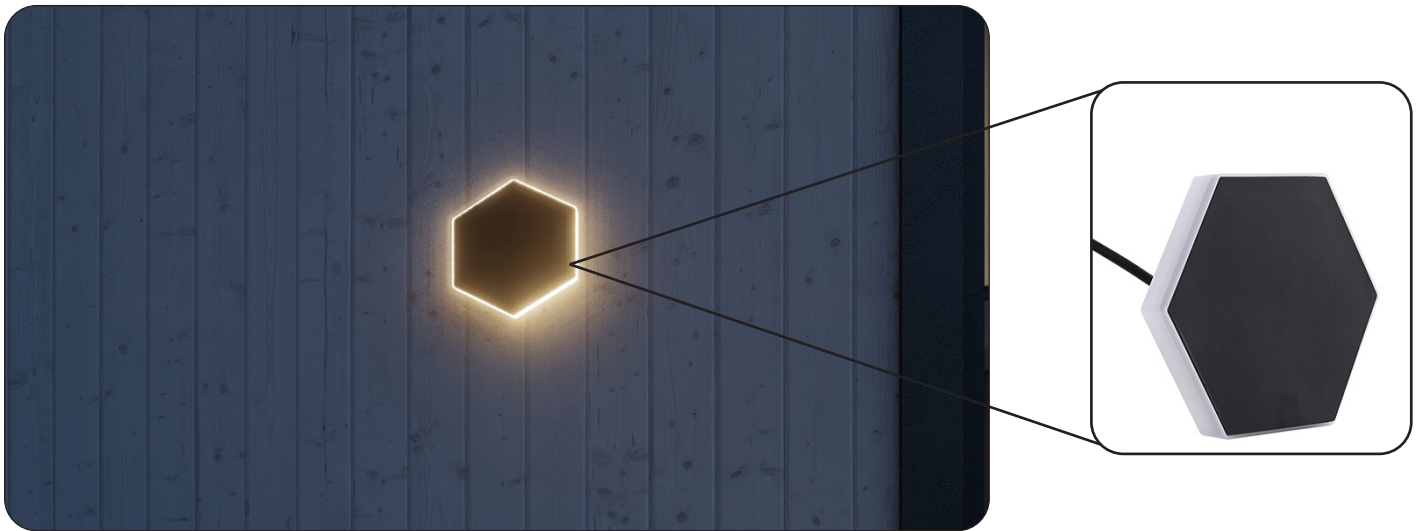
DISTANCE (M)	CENTER BEAM (lx) Eavg/Emax	ILLUMINANCE - CONE OF LIGHT	BEAM DIAMETER (m)
1	83.7 / 159.2		1.07
2	20.9 / 39.8		2.14
3	9.3 / 17.7		3.21
4	5.23 / 9.94		4.28
5	3.3 / 6.36		5.34
6	2.3 / 4.42		6.42



# PRISM BACKLIT 4

WL-PRISM-BL-BK

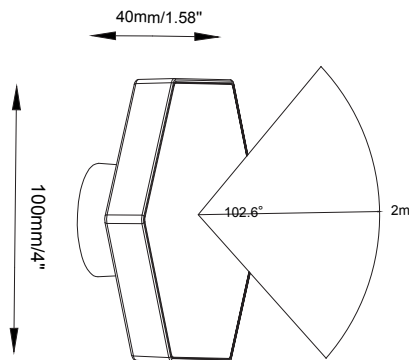
WALL LIGHT



The Prism Backlit 4 is a modern, lavish and unique black wall light. This 4" hexagonal fixture projects a warm and non-blinding 360-degree glow that creates unforgettable lighting effects on any wall, fence or privacy screen. With an installation value of 3 VA and a 93 CRI, this aesthetic and sleek fixture can take an outdoor space to a whole new level.

## SPECIFICATIONS:

- Voltage:** 12V AC
- Wattage:** 2
- Volt Amps:** 3
- Lumens:** 160
- Color Temp:** 2700k
- IP Rating:** 65
- CRI:** 93
- Material:** Polycarbonate
- Cable Length:** 24"



DISTANCE (M)	CENTER BEAM (lx) Eavg/Emax	ILLUMINANCE - CONE OF LIGHT	BEAM DIAMETER (m)
0.25	256 / 736		0.61
0.5	64 / 184		1.22
1	16 / 46		2.45
1.5	7.1 / 20		3.6
2	4 / 11.5		4.9

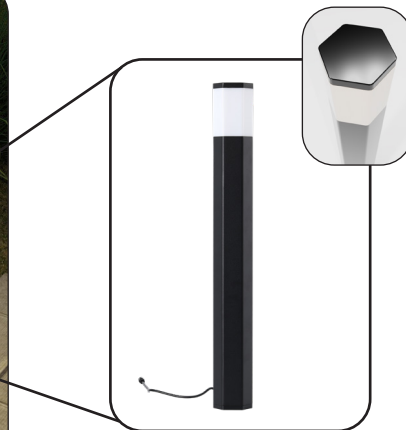
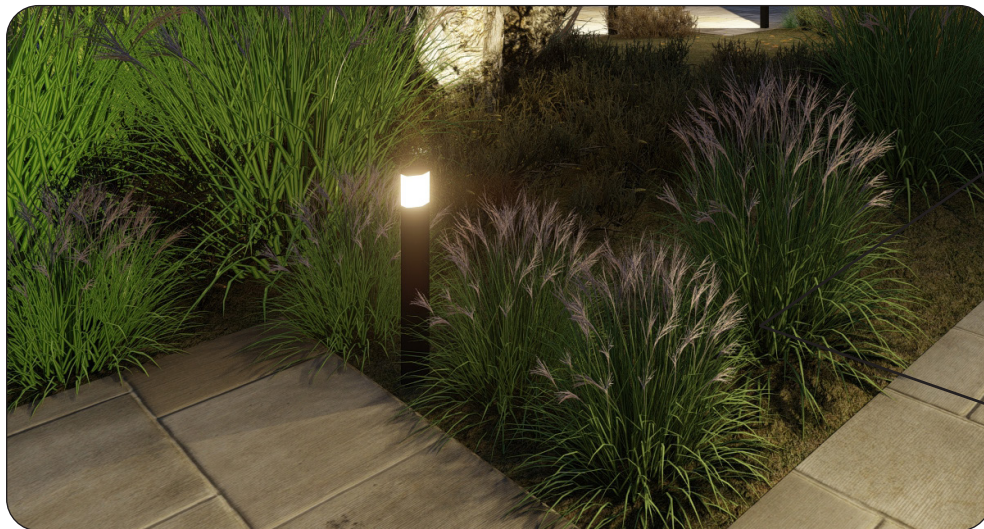
AVERAGE BEAM ANGLE 0/180 (50%): 102.6 DEG



# PRISM HIGH

PL-PRISM-H-BK

RECESSED LIGHT



The Prism High is a bold and futuristic version of your standard tall bollard path light. At 24 inches tall, the Prism High's towering presence, hexagonal shape, and diffused 360-degree glow simply can't be missed. Prism path lights are available in two heights for you to pick from. Turn any dark and gloomy outdoor space into a nocturnal nirvana.

## SPECIFICATIONS:

**Voltage:** 12V AC

**Wattage:** 1.5

**Volt Amps:** 2.5

**Lumens:** 60

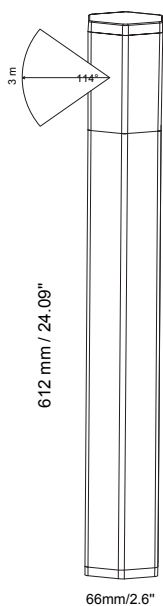
**Color Temp:** 2700k

**IP Rating:** 65

**CRI:** 92.5

**Material:** Anodized aluminum

**Cable Length:** 24"



DISTANCE (M)	CENTER BEAM (lx) Eavg/Emax	ILLUMINANCE - CONE OF LIGHT	BEAM DIAMETER (m)
0.25	2.8 / 109		0.55
0.5	0.72 / 27.2		1.1
0.75	0.28 / 9		1.7
1	0.2 / 6.8		2.2
1.5	0.09 / 3		3.3

AVERAGE BEAM ANGLE 90/270 (50%): 114 DEG



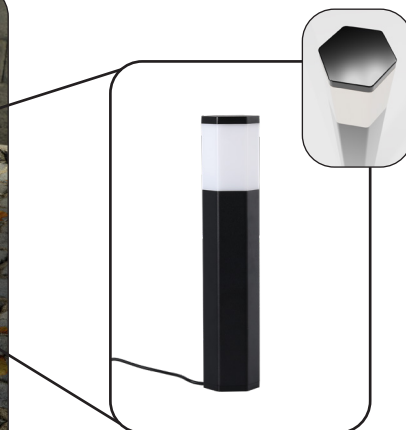
support@boldpros.com | 1-833-472-9960

Visit [boldpros.com](https://boldpros.com)

# PRISM LOW

PL-PRISM-L-BK

PATH LIGHT



The Prism Low is a bold and futuristic version of your standard short bollard path light. At 15 inches tall, the Prism Low's compact size, hexagonal shape, and diffused 360-degree glow will accent any outdoor space design to perfection. Prism path lights are available in 2 heights.

## SPECIFICATIONS:

**Voltage:** 12V AC

**Wattage:** 1.5

**Volt Amps:** 2.5

**Lumens:** 50

**Color Temp:** 2700k

**IP Rating:** 65

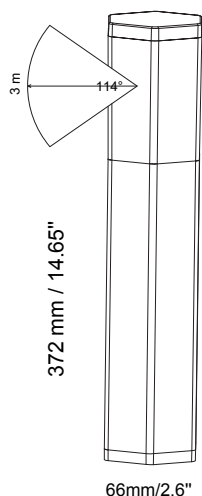
**CRI:** 92.5

**Material:** Anodized aluminum

**Cable Length:** 24"



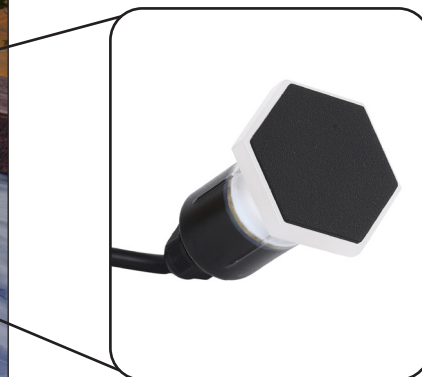
PRISM LOW



DISTANCE (M)	CENTER BEAM (lx) Eavg/Emax	ILLUMINANCE - CONE OF LIGHT	BEAM DIAMETER (m)
0.25	2.8 / 109		0.55
0.5	0.72 / 27.2		1.1
0.75	0.28 / 9		1.7
1	0.2 / 6.8		2.2
1.5	0.09 / 3		3.3

AVERAGE BEAM ANGLE 90/270 (50%): 114 DEG

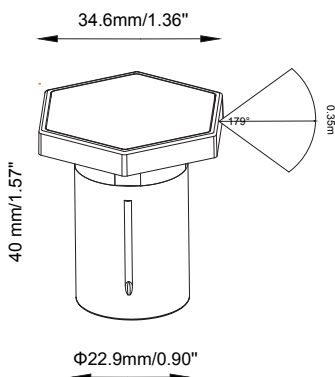




The Prism Mini is part of BOLD’s high-end, durable and modern 7/8” (22mm) recessed fixtures. With its 93 CRI, hexagonal design, partially covered light source and 360-degree warm glow, you can create unique ambient lighting effects and modern designs, minus the glare. You can safely walk over these raised recessed lights: their low-profile ensures they are not a tripping hazard. The slim design also removes the need to worry about shovelling or accidentally pulling up the fixture. They are completely safe to drive over: cars, trucks, heavy construction equipment, you name it - these fixtures are designed to withstand heavy weights.

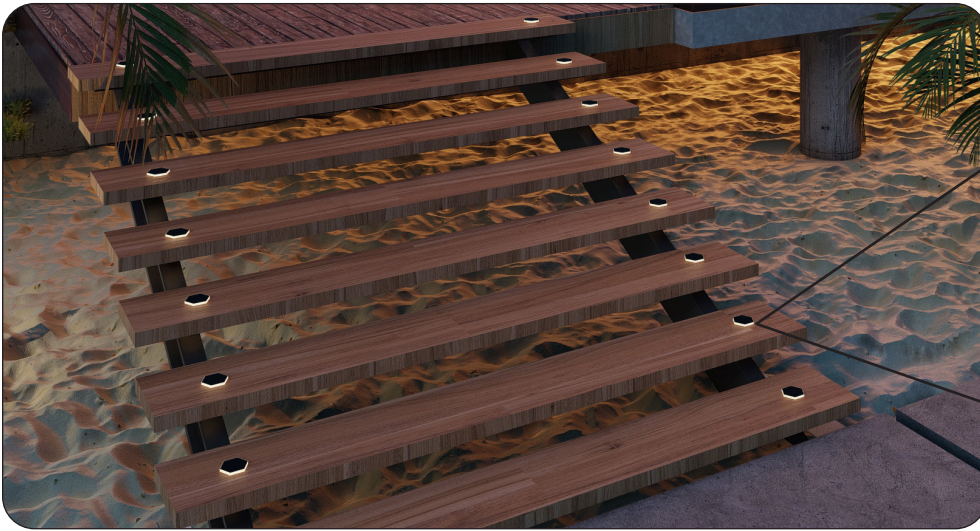
### SPECIFICATIONS:

- Voltage:** 12V AC
- Wattage:** 0.5
- Volt Amps:** 0.8
- Lumens:** 3
- Color Temp:** 2700k
- IP Rating:** 67
- CRI:** 93
- Material:** Polycarbonate
- Cable Length:** 36”



DISTANCE (M)	CENTER BEAM (lx) Eavg/Emax	ILLUMINANCE - CONE OF LIGHT	BEAM DIAMETER (m)
0.1	1.7 / 125		0.21
0.25	0.272 / 20		0.525
0.35	0.136 / 10		0.735
0.5	0.068 / 5.0		1.05
1	0.017 / 1.25		2.1

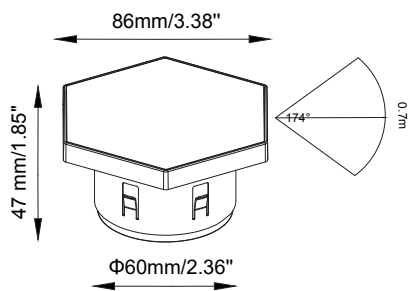
AVERAGE BEAM ANGLE 90/270 (50%): 179 DEG  
 AVERAGE BEAM ANGLE 0/180 (50%): 179 DEG



The Prism is part of BOLD's high-end, durable and modern 2 3/8" (60mm) recessed fixtures. With its 93 CRI, hexagonal design, partially covered light source and 360-degree warm glow, you can create unique ambient lighting effects and modern designs, minus the glare. You can safely walk over these raised recessed lights: their low-profile ensures they are not a tripping hazard. The slim design also removes the need to worry about shovelling or accidentally pulling up the fixture. They are completely safe to drive over: cars, trucks, heavy construction equipment, you name it - these fixtures are designed to withstand heavy weights.

### SPECIFICATIONS:

- Voltage:** 12V AC
- Wattage:** 1.5
- Volt Amps:** 2.5
- Lumens:** 11
- Color Temp:** 2700k
- IP Rating:** 67
- CRI:** 93
- Material:** Polycarbonate
- Cable Length:** 36"



DISTANCE (M)	CENTER BEAM (lx) Eavg/Emax	ILLUMINANCE - CONE OF LIGHT	BEAM DIAMETER (m)
0.1	18.5 / 540		0.08
0.25	4.64 / 86.4		0.20
0.5	1.16 / 21.6		0.39
0.7	0.58 / 10.8		0.55
1	0.29 / 5.4		0.78

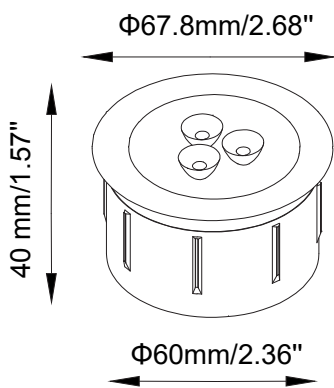
AVERAGE BEAM ANGLE 90/270 (50%): 174 DEG  
 AVERAGE BEAM ANGLE 0/180 (50%): 174 DEG



The Ray is BOLD's brightest 2 3/8" (60mm) recessed spotlight. Compact but mighty, this fixture has a focused light reach of 7 meters. With its seamless style and stainless steel ring, you can illuminate columns, walls, house fronts and more from the ground-up. The Ray recessed fixtures come in different modern finishes and shapes to choose from and create custom designs.

**SPECIFICATIONS:**

- Voltage:** 12V AC
- Wattage:** 1.5
- Volt Amps:** 2.5
- Lumens:** 100
- Color Temp:** 2700k
- IP Rating:** 67
- CRI:** 93
- Material:** Anodized Aluminum
- Cable Length:** 36"



DISTANCE (M)	CENTER BEAM (lx) Eavg/Emax	ILLUMINANCE - CONE OF LIGHT	BEAM DIAMETER (m)
1	356.8 / 538.5		0.42
2	89.2 / 134.6		0.84
3	39.6 / 59.8		1.25
4	22.3 / 33.7		1.67
5	14.3 / 21.5		2.10
6	9.9 / 15.1		2.51
7	7.3 / 11.0		2.93



The Ray Hex is BOLD's brightest 2 3/8" (60mm) recessed spotlight. Compact but mighty, this fixture has a focused light reach of 7 meters. With its modern look and hexagonal black ring, you can illuminate columns, walls, house fronts and more from the ground-up. The Ray recessed fixtures come in different modern finishes and shapes to choose from and create custom designs.

### SPECIFICATIONS:

**Voltage:** 12V AC

**Wattage:** 1.5

**Volt Amps:** 2.5

**Lumens:** 100

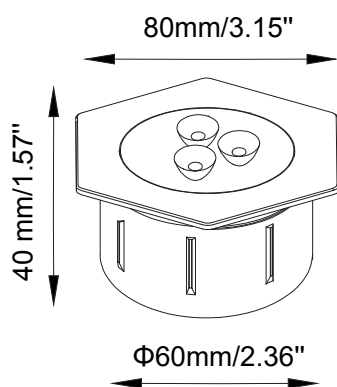
**Color Temp:** 2700k

**IP Rating:** 67

**CRI:** 93

**Material:** Anodized Aluminum

**Cable Length:** 36"



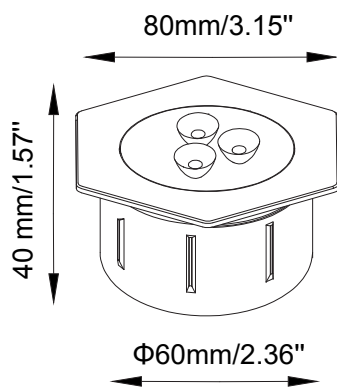
DISTANCE (M)	CENTER BEAM (lx) Eavg/Emax	ILLUMINANCE - CONE OF LIGHT	BEAM DIAMETER (m)
1	356.8 / 538.5		0.42
2	89.2 / 134.6		0.84
3	39.6 / 59.8		1.25
4	22.3 / 33.7		1.67
5	14.3 / 21.5		2.10
6	9.9 / 15.1		2.51
7	7.3 / 11.0		2.93



The Ray Hex is BOLD's brightest 2 3/8" (60mm) recessed spotlight. Compact but mighty, this fixture has a focused light reach of 7 meters. With its modern look and hexagonal ring, you can illuminate columns, walls, house fronts and more from the ground-up. The Ray recessed fixtures come in different modern finishes and shapes to choose from and create custom designs.

### SPECIFICATIONS:

- Voltage:** 12V AC
- Wattage:** 1.5
- Volt Amps:** 2.5
- Lumens:** 100
- Color Temp:** 2700k
- IP Rating:** 67
- CRI:** 93
- Material:** Stainless Steel
- Cable Length:** 36"



DISTANCE (M)	CENTER BEAM (lx) Eavg/Emax	ILLUMINANCE - CONE OF LIGHT	BEAM DIAMETER (m)
1	356.8 / 538.5		0.42
2	89.2 / 134.6		0.84
3	39.6 / 59.8		1.25
4	22.3 / 33.7		1.67
5	14.3 / 21.5		2.10
6	9.9 / 15.1		2.51
7	7.3 / 11.0		2.93





The Ray Square is BOLD's brightest 2 3/8" (60mm) recessed spotlight. Compact but mighty, this fixture has a focused light reach of 7 meters. With its modern look and square black ring, you can illuminate columns, walls, house fronts and more from the ground-up. The Ray recessed fixtures come in different modern finishes and shapes to choose from to create modern designs.

### SPECIFICATIONS:

**Voltage:** 12V AC

**Wattage:** 1.5

**Volt Amps:** 2.5

**Lumens:** 100

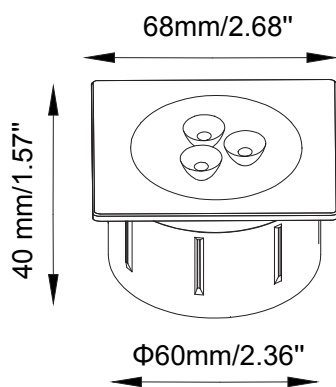
**Color Temp:** 2700k

**IP Rating:** 67

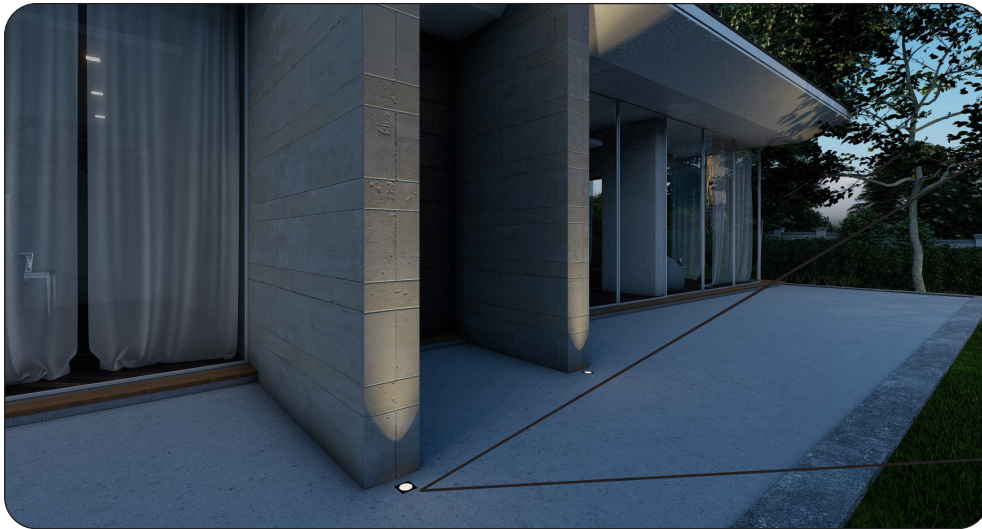
**CRI:** 93

**Material:** Anodized aluminum

**Cable Length:** 36"



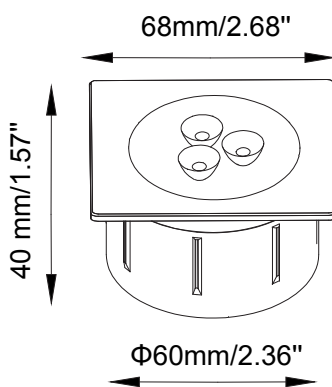
DISTANCE (M)	CENTER BEAM (lx) Eavg/Emax	ILLUMINANCE - CONE OF LIGHT	BEAM DIAMETER (m)
1	356.8 / 538.5		0.42
2	89.2 / 134.6		0.84
3	39.6 / 59.8		1.25
4	22.3 / 33.7		1.67
5	14.3 / 21.5		2.10
6	9.9 / 15.1		2.51
7	7.3 / 11.0		2.93



The Ray Square is BOLD's brightest 2 3/8" (60mm) recessed spotlight. Compact but mighty, this fixture has a focused light reach of 7 meters. With its modern look and square stainless steel ring, you can illuminate columns, walls, house fronts and more from the ground-up. The Ray recessed fixtures come in different finishes to choose from to create custom designs.

### SPECIFICATIONS:

- Voltage:** 12V AC
- Wattage:** 1.5
- Volt Amps:** 2.5
- Lumens:** 100
- Color Temp:** 2700k
- IP Rating:** 67
- CRI:** 93
- Material:** Stainless Steel
- Cable Length:** 36"



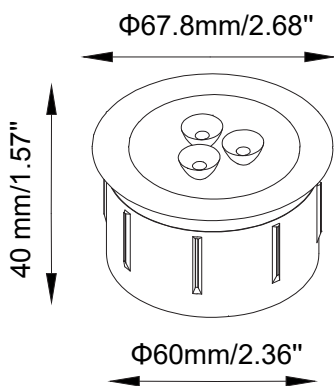
DISTANCE (M)	CENTER BEAM (lx) Eavg/Emax	ILLUMINANCE - CONE OF LIGHT	BEAM DIAMETER (m)
1	356.8 / 538.5		0.42
2	89.2 / 134.6		0.84
3	39.6 / 59.8		1.25
4	22.3 / 33.7		1.67
5	14.3 / 21.5		2.10
6	9.9 / 15.1		2.51
7	7.3 / 11.0		2.93



The Ray is BOLD's brightest 2 3/8" (60mm) recessed spotlight. Compact but mighty, this fixture has a focused light reach of 7 meters. With its seamless style and stainless steel ring, you can illuminate columns, walls, house fronts and more from the ground-up. The Ray recessed fixtures come in different modern finishes and shapes to choose from and create custom designs.

**SPECIFICATIONS:**

- Voltage:** 12V AC
- Wattage:** 1.5
- Volt Amps:** 2.5
- Lumens:** 100
- Color Temp:** 2700k
- IP Rating:** 67
- CRI:** 93
- Material:** Stainless Steel
- Cable Length:** 36"



DISTANCE (M)	CENTER BEAM (lx) Eavg/Emax	ILLUMINANCE - CONE OF LIGHT	BEAM DIAMETER (m)
1	356.8 / 538.5		0.42
2	89.2 / 134.6		0.84
3	39.6 / 59.8		1.25
4	22.3 / 33.7		1.67
5	14.3 / 21.5		2.10
6	9.9 / 15.1		2.51
7	7.3 / 11.0		2.93



The Ruby (with a hexagonal black ring) is part of BOLD's high-end, durable and dynamic 2 3/8" (60mm) recessed fixtures. Framed with a hexagon shaped black ring, this recessed light projects a bright light that's ideal for bordering patios, decks, pathways, and creating unique designs. The Ruby product line presents different fixture sizes, ring options, and finishes you can choose from to customize your outdoor lighting designs.

### SPECIFICATIONS:

**Voltage:** 12V AC

**Wattage:** 0.4

**Volt Amps:** 0.7

**Lumens:** 16

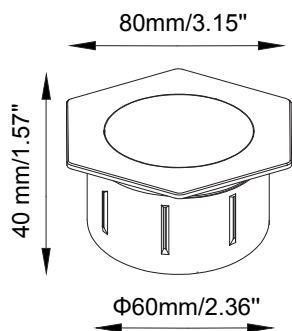
**Color Temp:** 2700k

**IP Rating:** 67

**CRI:** 93

**Material:** Anodized Aluminum

**Cable Length:** 36"



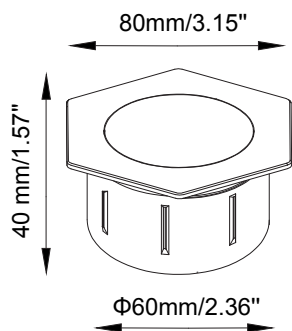
DISTANCE (M)	CENTER BEAM (lx) Eavg/Emax	ILLUMINANCE - CONE OF LIGHT	BEAM DIAMETER (m)
0.25	268 / 737		0.07
0.5	16.8 / 46.1		0.13
1	4.2 / 11.5		0.25
1.5	1.86 / 5.12		0.38
2	1.02 / 2.81		0.50



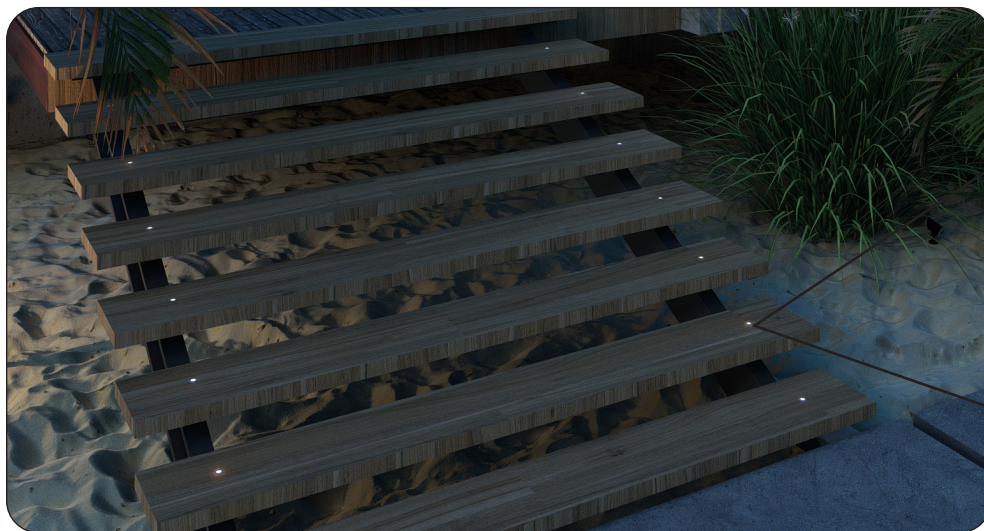
The Ruby (with a hexagonal stainless steel ring) is part of BOLD's high-end, durable and dynamic 2 3/8" (60mm) recessed fixtures. Framed with a hexagon shaped stainless steel ring, this recessed light projects a bright light that's ideal for bordering patios, decks, pathways, and creating unique designs. The Ruby product line presents different fixture sizes, ring options, and finishes you can choose from to customize your outdoor lighting designs.

### SPECIFICATIONS:

- Voltage:** 12V AC
- Wattage:** 0.4
- Volt Amps:** 0.7
- Lumens:** 16
- Color Temp:** 2700k
- IP Rating:** 67
- CRI:** 93
- Material:** Stainless Steel
- Cable Length:** 36"



DISTANCE (M)	CENTER BEAM (lx) Eavg/Emax	ILLUMINANCE - CONE OF LIGHT	BEAM DIAMETER (m)
0.25	268 / 737		0.07
0.5	16.8 / 46.1		0.13
1	4.2 / 11.5		0.25
1.5	1.86 / 5.12		0.38
2	1.02 / 2.81		0.50



The Ruby Mini (with a black ring) is part of BOLD's high-end, durable and dynamic 7/8" (22mm) recessed fixtures. Framed with a black aluminum ring, this compact recessed light projects a bright light that's ideal for bordering patios, decks, pathways, and creating unique designs. The Ruby product line presents different fixture sizes, ring options, and finishes you can choose from to customize your outdoor lighting designs.

### SPECIFICATIONS:

**Voltage:** 12V AC

**Wattage:** 0.1

**Volt Amps:** 0.15

**Lumens:** 1

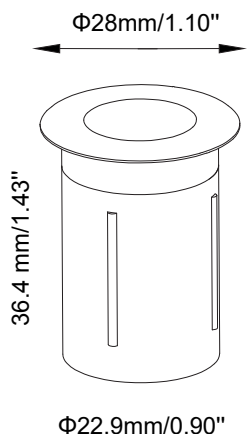
**Color Temp:** 2700k

**IP Rating:** 67

**CRI:** 93

**Material:** Anodized Aluminum

**Cable Length:** 36"



DISTANCE (M)	CENTER BEAM (lx) Eavg/Emax	ILLUMINANCE - CONE OF LIGHT	BEAM DIAMETER (m)
0.1	54.5 / 139.9		0.02
0.2	13.62 / 35.0		0.05
0.3	6.04 / 15.54		0.07
0.4	3.4 / 8.74		0.09
0.5	2.18 / 5.6		0.12
1	0.54 / 1.34		0.23

# RUBY MINI HEX

RL-RUBY-HX-22-BK

RECESSED LIGHT



The Ruby Mini (with a hexagonal black ring) is part of BOLD's high-end, durable and dynamic 7/8" (22mm) recessed fixtures. Framed with a hexagon shaped black ring, this compact recessed light projects a bright light that's ideal for bordering patios, decks, pathways, and creating unique designs. The Ruby product line presents different fixture sizes, ring options, and finishes you can choose from to customize your outdoor lighting designs.

## SPECIFICATIONS:

**Voltage:** 12V AC

**Wattage:** 0.1

**Volt Amps:** 0.15

**Lumens:** 1

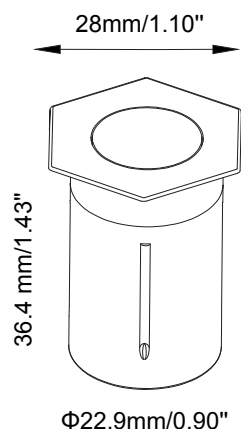
**Color Temp:** 2700k

**IP Rating:** 67

**CRI:** 93

**Material:** Anodized Aluminum

**Cable Length:** 36"



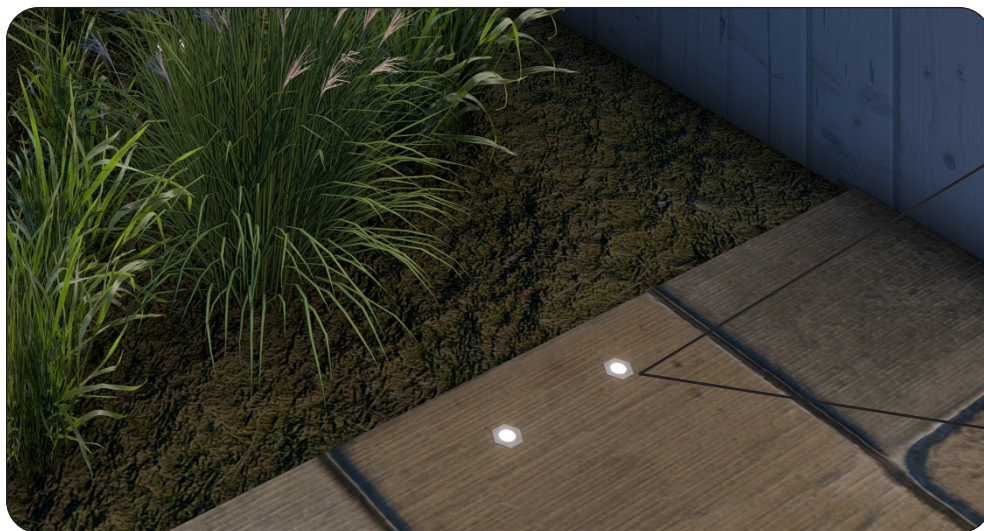
DISTANCE (M)	CENTER BEAM (lx) Eavg/Emax	ILLUMINANCE - CONE OF LIGHT	BEAM DIAMETER (m)
0.1	54.5 / 139.9		0.02
0.2	13.62 / 35.0		0.05
0.3	6.04 / 15.54		0.07
0.4	3.4 / 8.74		0.09
0.5	2.18 / 5.6		0.12
1	0.54 / 1.34		0.23



# RUBY MINI HEX

RL-RUBY-HX-22-SS

RECESSED LIGHT



The Ruby Mini (with a hexagonal stainless steel ring) is part of BOLD's high-end, durable and dynamic 7/8" (22mm) recessed fixtures. Framed with a hexagon shaped stainless steel ring, this compact recessed light projects a bright light that's ideal for bordering patios, decks, pathways, and creating unique designs. The Ruby product line presents different fixture sizes, ring options, and finishes you can choose from to customize your outdoor lighting designs.

## SPECIFICATIONS:

**Voltage:** 12V AC

**Wattage:** 0.1

**Volt Amps:** 0.15

**Lumens:** 1

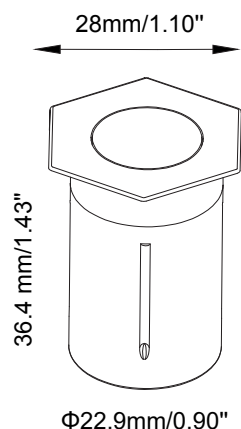
**Color Temp:** 2700k

**IP Rating:** 67

**CRI:** 93

**Material:** Stainless Steel

**Cable Length:** 36"



DISTANCE (M)	CENTER BEAM (lx) Eavg/Emax	ILLUMINANCE - CONE OF LIGHT	BEAM DIAMETER (m)
0.1	54.5 / 139.9		0.02
0.2	13.62 / 35.0		0.05
0.3	6.04 / 15.54		0.07
0.4	3.4 / 8.74		0.09
0.5	2.18 / 5.6		0.12
1	0.54 / 1.34		0.23



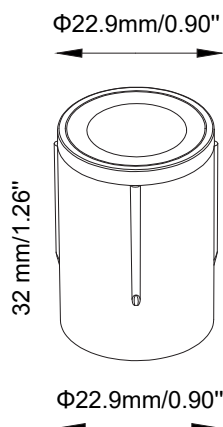




The Ruby Mini (with no ring) is part of BOLD's high-end, durable and dynamic 7/8" (22mm) recessed fixtures. This compact recessed light projects a bright light that's ideal for bordering patios, decks, pathways, and creating unique designs. The Ruby product line presents different fixture sizes, ring options, and finishes you can choose from to customize your outdoor lighting designs.

### SPECIFICATIONS:

- Voltage:** 12V AC
- Wattage:** 0.1
- Volt Amps:** 0.15
- Lumens:** 1
- Color Temp:** 2700k
- IP Rating:** 67
- CRI:** 93
- Material:** Polycarbonate
- Cable Length:** 36"



DISTANCE (M)	CENTER BEAM (lx) Eavg/Emax	ILLUMINANCE - CONE OF LIGHT	BEAM DIAMETER (m)
0.1	54.5 / 139.9		0.02
0.2	13.62 / 35.0		0.05
0.3	6.04 / 15.54		0.07
0.4	3.4 / 8.74		0.09
0.5	2.18 / 5.6		0.12
1	0.54 / 1.34		0.23

# RUBY MINI SQUARE RL-RUBY--SQ-22-BK

RECESSED LIGHT



The Ruby Mini (with a square black ring) is part of BOLD's high-end, durable and dynamic 7/8" (22mm) recessed fixtures. Framed with a square shaped black aluminium ring, this compact recessed light projects a bright light that's ideal for bordering patios, decks, pathways, and creating unique designs. The Ruby product line presents different fixture sizes, ring options, and finishes you can choose from to customize your outdoor lighting designs.

## SPECIFICATIONS:

**Voltage:** 12V AC

**Wattage:** 0.1

**Volt Amps:** 0.15

**Lumens:** 1

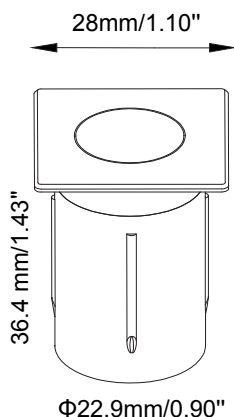
**Color Temp:** 2700k

**IP Rating:** 67

**CRI:** 93

**Material:** Anodized Aluminum

**Cable Length:** 36"



DISTANCE (M)	CENTER BEAM (lx) Eavg/Emax	ILLUMINANCE - CONE OF LIGHT	BEAM DIAMETER (m)
0.1	54.5 / 139.9		0.02
0.2	13.62 / 35.0		0.05
0.3	6.04 / 15.54		0.07
0.4	3.4 / 8.74		0.09
0.5	2.18 / 5.6		0.12
1	0.54 / 1.34		0.23



# RUBY MINI SQUARE

RL-RUBY--SQ-22-SS

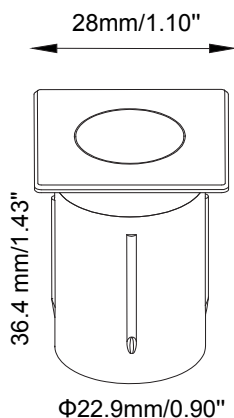
RECESSED LIGHT



The Ruby Mini (with a square stainless steel ring) is part of BOLD's high-end, durable and dynamic 7/8" (22mm) recessed fixtures. Framed with a square shaped stainless steel ring, this compact recessed light projects a bright light that's ideal for bordering patios, decks, pathways, and creating unique designs. The Ruby product line presents different fixture sizes, ring options, and finishes you can choose from to customize your outdoor lighting designs.

## SPECIFICATIONS:

- Voltage:** 12V AC
- Wattage:** 0.1
- Volt Amps:** 0.15
- Lumens:** 1
- Color Temp:** 2700k
- IP Rating:** 67
- CRI:** 93
- Material:** Stainless Steel
- Cable Length:** 36"



DISTANCE (M)	CENTER BEAM (lx) Eavg/Emax	ILLUMINANCE - CONE OF LIGHT	BEAM DIAMETER (m)
0.1	54.5 / 139.9		0.02
0.2	13.62 / 35.0		0.05
0.3	6.04 / 15.54		0.07
0.4	3.4 / 8.74		0.09
0.5	2.18 / 5.6		0.12
1	0.54 / 1.34		0.23

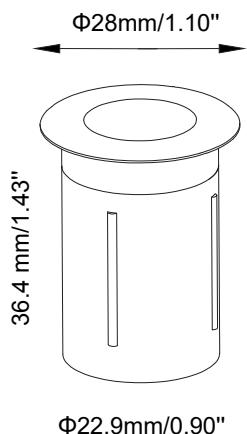




The Ruby Mini (with a stainless steel ring) is part of BOLD's high-end, durable and dynamic 7/8" (22mm) recessed fixtures. Framed with a stainless steel ring, this compact recessed light projects a bright light that's ideal for bordering patios, decks, pathways, and creating unique designs. The Ruby product line presents different fixture sizes, ring options, and finishes you can choose from to customize your outdoor lighting designs.

### SPECIFICATIONS:

- Voltage:** 12V AC
- Wattage:** 0.1
- Volt Amps:** 0.15
- Lumens:** 1
- Color Temp:** 2700k
- IP Rating:** 67
- CRI:** 93
- Material:** Stainless Steel
- Cable Length:** 36"



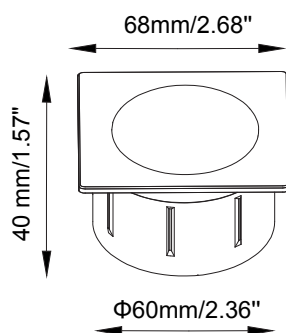
DISTANCE (M)	CENTER BEAM (lx) Eavg/Emax	ILLUMINANCE - CONE OF LIGHT	BEAM DIAMETER (m)
0.1	54.5 / 139.9		0.02
0.2	13.62/ 35.0		0.05
0.3	6.04 / 15.54		0.07
0.4	3.4 / 8.74		0.09
0.5	2.18 / 5.6		0.12
1	0.54/ 1.34		0.23



The Ruby (with a square black ring) is part of BOLD's high-end, durable and dynamic 2 3/8" (60mm) recessed fixtures. Framed with a square shaped black ring, this recessed light projects a bright light that's ideal for bordering patios, decks, pathways, and creating unique designs. The Ruby product line presents different fixture sizes, ring options, and finishes you can choose from to customize your outdoor lighting designs.

### SPECIFICATIONS:

- Voltage:** 12V AC
- Wattage:** 0.4
- Volt Amps:** 0.7
- Lumens:** 16
- Color Temp:** 2700k
- IP Rating:** 67
- CRI:** 93
- Material:** Polycarbonate
- Cable Length:** 36"



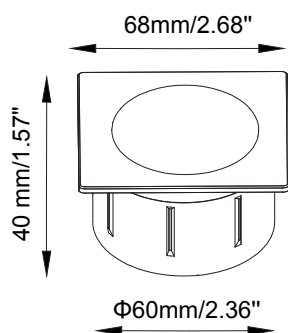
DISTANCE (M)	CENTER BEAM (lx) Eavg/Emax	ILLUMINANCE - CONE OF LIGHT	BEAM DIAMETER (m)
0.25	268 / 737		0.07
0.5	16.8 / 46.1		0.13
1	4.2 / 11.5		0.25
1.5	1.86 / 5.12		0.38
2	1.02 / 2.81		0.50



The Ruby (with a square stainless steel ring) is part of BOLD's high-end, durable and dynamic 2 3/8" (60mm) recessed fixtures. Framed with a square shaped stainless steel ring, this recessed light projects a bright light that's ideal for bordering patios, decks, pathways, and creating unique designs. The Ruby product line presents different fixture sizes, ring options, and finishes you can choose from to customize your outdoor lighting designs.

## SPECIFICATIONS:

- Voltage:** 12V AC
- Wattage:** 0.4
- Volt Amps:** 0.7
- Lumens:** 16
- Color Temp:** 2700k
- IP Rating:** 67
- CRI:** 93
- Material:** Stainless Steel
- Cable Length:** 36"



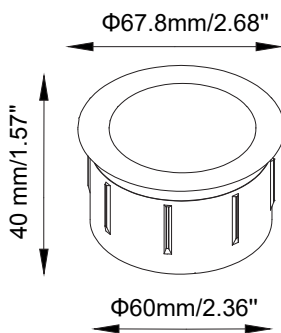
DISTANCE (M)	CENTER BEAM (lx) Eavg/Emax	ILLUMINANCE - CONE OF LIGHT	BEAM DIAMETER (m)
0.25	268 / 737		0.07
0.5	16.8 / 46.1		0.13
1	4.2 / 11.5		0.25
1.5	1.86 / 5.12		0.38
2	1.02 / 2.81		0.50



The Ruby (with a stainless steel ring) is part of BOLD's high-end, durable and dynamic 2 3/8" (60mm) recessed fixtures. Framed with a stainless steel ring, this recessed light projects a bright light that's ideal for bordering patios, decks, pathways, and creating unique designs. The Ruby product line presents different fixture sizes, ring options, and finishes you can choose from to customize your outdoor lighting designs.

**SPECIFICATIONS:**

- Voltage:** 12V AC
- Wattage:** 0.4
- Volt Amps:** 0.7
- Lumens:** 16
- Color Temp:** 2700k
- IP Rating:** 67
- CRI:** 93
- Material:** Stainless Steel
- Cable Length:** 36"

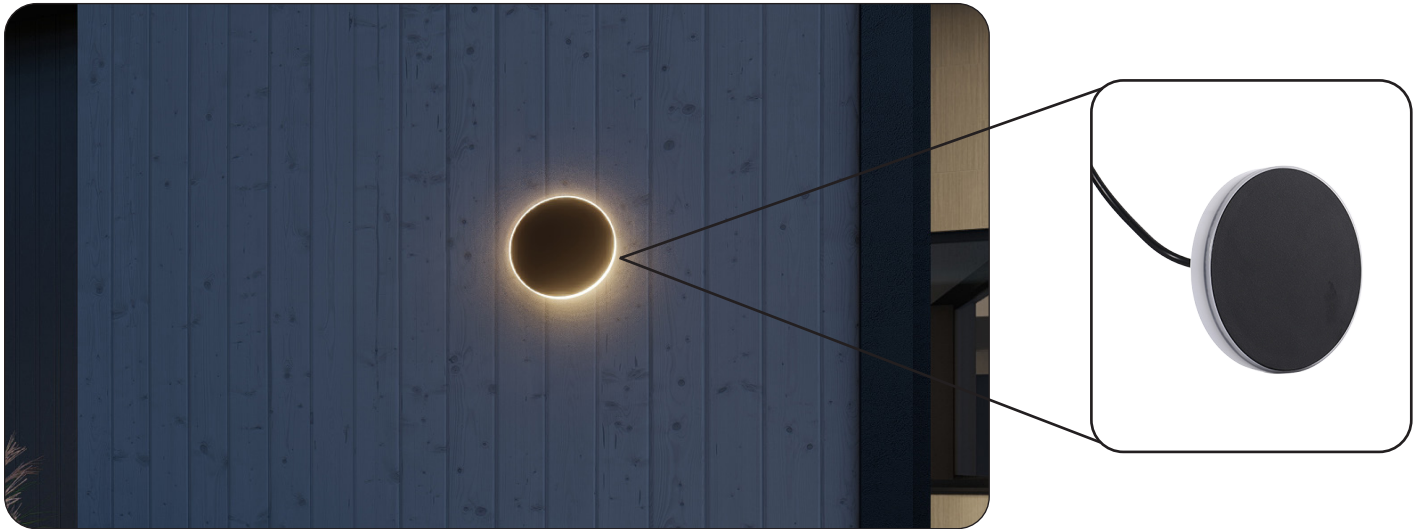


DISTANCE (M)	CENTER BEAM (lx) Eavg/Emax	ILLUMINANCE - CONE OF LIGHT	BEAM DIAMETER (m)
0.25	268 / 737		0.07
0.5	16.8 / 46.1		0.13
1	4.2 / 11.5		0.25
1.5	1.86 / 5.12		0.38
2	1.02 / 2.81		0.50

# SILO BACKLIT 4

WL-SILO-BL-BK

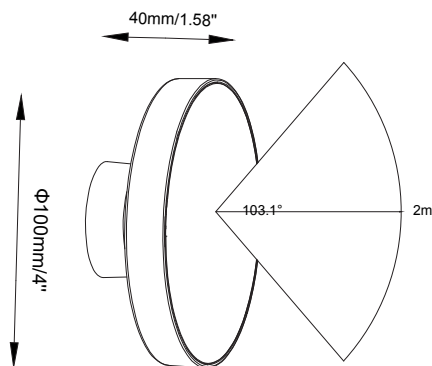
WALL LIGHT



The Silo Backlit 4 is a modern, lavish and unique black wall light. This 4" round fixture projects a warm and non-blinding 360-degree glow that creates unforgettable lighting effects, reminiscent to a full moon eclipse. With an installation value of 3 VA and a 93 CRI, you can create the perfect ambiance at night and bring safety to any space.

## SPECIFICATIONS:

- Voltage:** 12V AC
- Wattage:** 2
- Volt Amps:** 3
- Lumens:** 160
- Color Temp:** 2700k
- IP Rating:** 65
- CRI:** 93
- Material:** Polycarbonate
- Cable Length:** 24"



DISTANCE (M)	CENTER BEAM (lx) Eavg/Emax	ILLUMINANCE - CONE OF LIGHT	BEAM DIAMETER (m)
0.25	228 / 684		0.63
0.5	57.2 / 121.2		1.26
1	14.3 / 42.8		2.52
1.5	6.4 / 19		3.76
2	3.5 / 10.7		5.04

AVERAGE BEAM ANGLE 0/180 (50%): 103.1 DEG





# SILO HIGH

PL-SILO-H-BK

PATH LIGHT



The Silo High is BOLD's modernized version of your tall & classic bollard-style low voltage path light. At 24 inches tall, the Silo High's towering presence and diffused 360-degree glow simply can't be missed. Silo path lights are available in two heights for you to pick from. Turn any dark and gloomy outdoor space into a nocturnal nirvana.

## SPECIFICATIONS:

**Voltage:** 12V AC

**Wattage:** 1.5

**Volt Amps:** 2.5

**Lumens:** 60

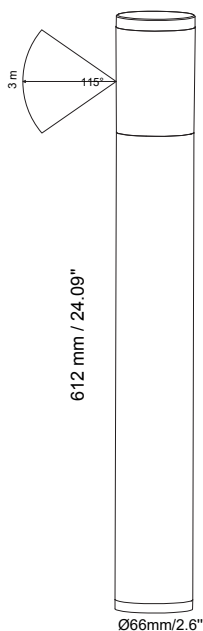
**Color Temp:** 2700k

**IP Rating:** 65

**CRI:** 93

**Material:** Anodized aluminum

**Cable Length:** 24"



DISTANCE (M)	CENTER BEAM (lx) Eavg/Emax	ILLUMINANCE - CONE OF LIGHT	BEAM DIAMETER (m)
0.25	2.8 / 100		0.55
0.5	0.72 / 25.6		1.1
0.75	0.32 / 11.2		1.7
1	0.18 / 6.4		2.2
1.5	0.08 / 2.8		3.3

AVERAGE BEAM ANGLE 90/270 (50%): 115.2 DEG



support@boldpros.com | 1-833-472-9960

Visit [boldpros.com](https://boldpros.com)

# SILO LOW

PL-SILO-L-BK

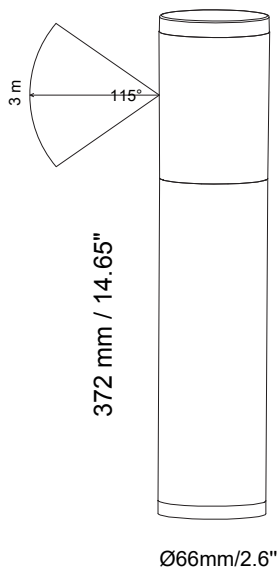
PATH LIGHT



The Silo Low is BOLD's modernized version of your classic short bollard-style low voltage path light. At 15 inches tall, the Silo Low's compact height and diffused 360-degree glow is the perfect addition to any project. Silo path lights are available in two heights. Turn any dark and gloomy outdoor space into a nocturnal nirvana.

## SPECIFICATIONS:

- Voltage:** 12V AC
- Wattage:** 1.5
- Volt Amps:** 2.5
- Lumens:** 60
- Color Temp:** 2700k
- IP Rating:** 65
- CRI:** 93
- Material:** Anodized aluminum
- Cable Length:** 24"



DISTANCE (M)	CENTER BEAM (lx) Eavg/Emax	ILLUMINANCE - CONE OF LIGHT	BEAM DIAMETER (m)
0.25	2.8 / 100		0.55
0.5	0.72 / 25.6		1.1
0.75	0.32 / 11.2		1.7
1	0.18 / 6.4		2.2
1.5	0.08 / 2.8		3.3

AVERAGE BEAM ANGLE 90/270 (50%): 115.2 DEG

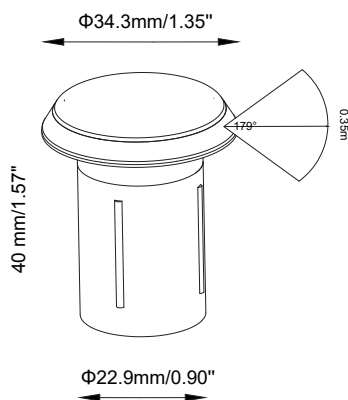




The Silo Mini is part of BOLD’s high-end, durable and modern 7/8” (22mm) recessed fixtures. With its 93 CRI, round design, partially covered light source and 360-degree warm glow, you can create unique ambient lighting effects and modern designs, minus the glare. You can safely walk over these raised recessed lights: their low-profile ensures they are not a tripping hazard. The slim design also removes the need to worry about shovelling or accidentally pulling up the fixture. They are completely safe to drive over: cars, trucks, heavy construction equipment, you name it - these fixtures are designed to withstand heavy weights.

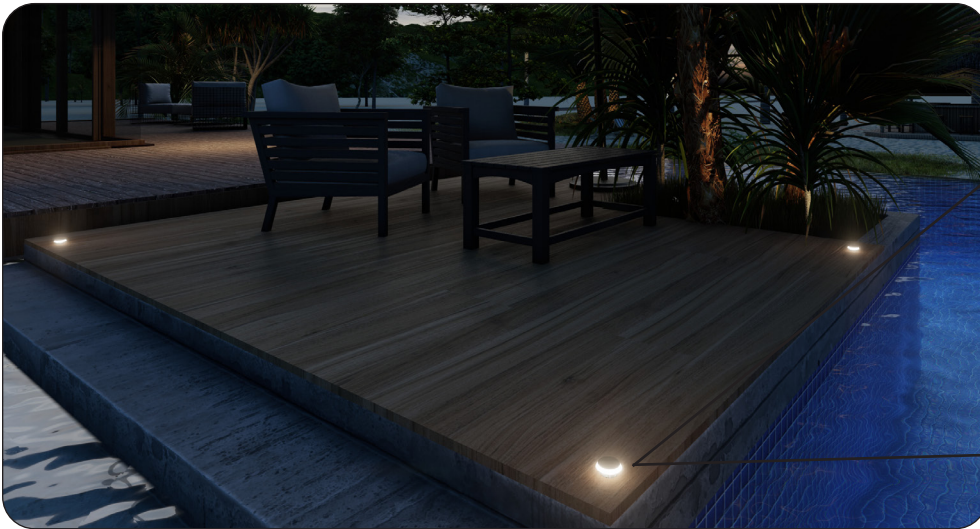
### SPECIFICATIONS:

- Voltage:** 12V AC
- Wattage:** 0.5
- Volt Amps:** 0.8
- Lumens:** 3
- Color Temp:** 2700k
- IP Rating:** 67
- CRI:** 93
- Material:** Polycarbonate
- Cable Length:** 36"



DISTANCE (M)	CENTER BEAM (lx) Eavg/Emax	ILLUMINANCE - CONE OF LIGHT	BEAM DIAMETER (m)
0.1	1.7 / 125		0.21
0.25	0.272 / 21		0.525
0.35	0.136 / 10.5		0.735
0.5	0.068 / 5.0		1.05
1	0.017 / 1.25		2.1

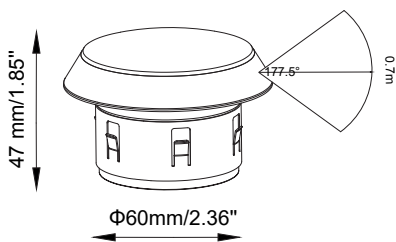
AVERAGE BEAM ANGLE 90/270 (50%): 179 DEG  
 AVERAGE BEAM ANGLE 0/180 (50%): 179 DEG



The Silo is part of BOLD's high-end, durable and modern 2 3/8" (60mm) recessed fixtures. With its 93 CRI, round design, partially covered light source and 360-degree warm glow, you can create unique ambient lighting effects and modern designs, minus the glare. You can safely walk over these raised recessed lights: their low-profile ensures they are not a tripping hazard. The slim design also removes the need to worry about shovelling or accidentally pulling up the fixture. They are completely safe to drive over: cars, trucks, heavy construction equipment, you name it - these fixtures are designed to withstand heavy weights.

**SPECIFICATIONS:**

- Voltage:** 12V AC
- Wattage:** 1.5
- Volt Amps:** 2.5
- Lumens:** 11
- Color Temp:** 2700k
- IP Rating:** 67
- CRI:** 93
- Material:** Polycarbonate
- Cable Length:** 36"



DISTANCE (M)	CENTER BEAM (lx) Eavg/Emax	ILLUMINANCE - CONE OF LIGHT	BEAM DIAMETER (m)
0.1	18.5 / 540		0.08
0.25	4.64 / 86.4		0.20
0.5	1.16 / 21.6		0.39
0.7	0.58 / 10.8		0.55
1	0.29 / 5.4		0.78

AVERAGE BEAM ANGLE 90/270 (50%): 178 DEG  
 AVERAGE BEAM ANGLE 0/180 (50%): 177 DEG



The Silva High is a tall & dynamic path light that matches both classic and minimalistic designs to perfection. With a 92.5 CRI, this 24-inch modern and sleek fixture is designed to shine down a non-blinding outwards glow on your paths, driveways, patios, gardens, hardscape steps and more. Silva path lights come in 2 heights.

### SPECIFICATIONS:

**Voltage:** 12V AC

**Wattage:** 1.5

**Volt Amps:** 2.5

**Lumens:** 60

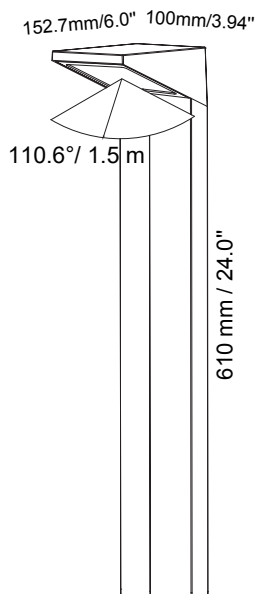
**Color Temp:** 2700k

**IP Rating:** 65

**CRI:** 92.5

**Material:** Anodized aluminum

**Cable Length:** 24"



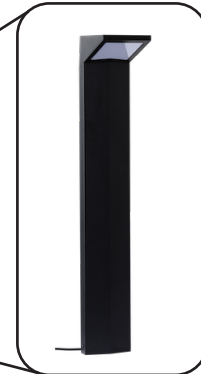
DISTANCE (M)	CENTER BEAM (lx) Eavg/Emax	ILLUMINANCE - CONE OF LIGHT	BEAM DIAMETER (m)
0.25	96 / 360		0.43
0.5	24 / 84.8		0.86
1	6 / 21.2		1.73
1.5	2.65 / 9.3		2.7
2	1.55 / 5.4		3.46

AVERAGE BEAM ANGLE 0/180 (50%): 110.6 DEG

# SILVA LOW

PL-SILVA-L-BK

PATH LIGHT



The Silva Low is a short & dynamic path light that matches both classic and minimalistic designs to perfection. With a 92.5 CRI, this 18-inch compact and sleek fixture is designed to shine down a non-blinding outwards glow on your paths, driveways, patios, gardens, hardscape steps and more. Silva path lights come in 2 heights.

## SPECIFICATIONS:

**Voltage:** 12V AC

**Wattage:** 1.5

**Volt Amps:** 2.5

**Lumens:** 60

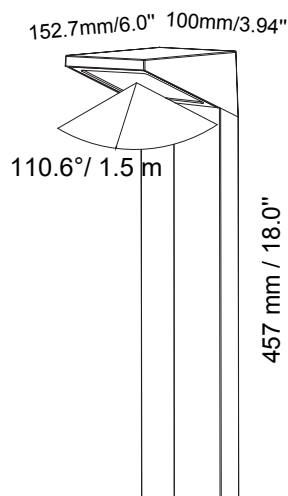
**Color Temp:** 2700k

**IP Rating:** 65

**CRI:** 92.5

**Material:** Anodized aluminum

**Cable Length:** 24"



DISTANCE (M)	CENTER BEAM (lx) Eavg/Emax	ILLUMINANCE - CONE OF LIGHT	BEAM DIAMETER (m)
0.25	96 / 360		0.43
0.5	24 / 84.8		0.86
1	6 / 21.2		1.73
1.5	2.65 / 9.3		2.7
2	1.55 / 5.4		3.46

AVERAGE BEAM ANGLE 0/180 (50%): 110.6 DEG





Feel the power of smart technology with BOLD's Smart Source 60 transformer. With a 60VA installation capacity and 3 cable taps for zoning available, you can seamlessly operate your system and customize your lighting needs through the BOLD App, or by pairing your transformer to smart home devices such as Google Home, Apple Home Kit and Alexa. The Smart Source 60 comes ready to be installed and connected to your smart devices right out of the box, no accessories or add-ons needed.

## SPECIFICATIONS:

**Capacity:** 60VA

**Voltage:** 120Vac

**Cable Length:** 36"

**Number of Wire Taps:** 3

**System Operation:** Smart App Control

**Outlet:** Standard GFCI

**Warranty:** 7-year Comprehensive





Feel the power of smart technology with BOLD's Smart Source 180 transformer. With a 180VA installation capacity and 3 cable taps for zoning available, you can seamlessly operate your system and customize your lighting needs through the BOLD App, or by pairing your transformer to smart home devices such as Google Home, Apple Home Kit and Alexa. The Smart Source 180 comes ready to be installed and connected to your smart devices right out of the box, no accessories or add-ons needed.

## SPECIFICATIONS:

**Capacity:** 180VA

**Voltage:** 120Vac

**Cable Length:** 36"

**Number of Wire Taps:** 3

**System Operation:** Smart App Control

**Outlet:** Standard GFCI

**Warranty:** 7-year Comprehensive







The Smart Source 300 is BOLD's most powerful -but still compact- low voltage transformer. With a 300 VA install capacity and 5 cable taps for zoning available, you can seamlessly operate your entire system and customize your lighting needs through the BOLD App, or by pairing your transformer to smart home devices such as Google Home, Apple Home Kit or Alexa. Ideal for large lighting projects where BOLD App control and Smart Home Device integration are a must. The Smart Source 300 comes ready to be installed and connected to your smart devices right out of the box, no accessories or add-ons needed.

## SPECIFICATIONS:

**Capacity:** 300VA

**Voltage:** 120Vac

**Cable Length:** 36"

**Number of Wire Taps:** 5

**System Operation:** Smart App Control

**Outlet:** Standard GFCI

**Warranty:** 7-year Comprehensive





The Source 60 is BOLD's standard and lowest capacity transformer. With 3 cable taps, a high-end touch panel for settings, and integrated astronomical clock, you can get your system up and running with a transformer that's simple to use but still customizable. Compatible with 10/2 and 12/2 cable.

## SPECIFICATIONS:

**Capacity:** 60VA

**Voltage:** 120Vac

**Cable Length:** 36"

**Number of Wire Taps:** 3

**System Operation:** Touch Screen

**Outlet:** Standard GFCI

**Warranty:** 7-year Comprehensive





The Source 180 is BOLD's standard medium capacity low voltage transformer. With 3 cable taps, a high-end touch panel for settings, and integrated astronomical clock, you can get your system up and running with a transformer that's simple to use but still customizable. Compatible with 10/2 and 12/2 cable.

## SPECIFICATIONS:

- Capacity:** 180VA
- Voltage:** 120Vac
- Cable Length:** 36"
- Number of Wire Taps:** 3
- System Operation:** Touch Screen
- Outlet:** Standard GFCI
- Warranty:** 7-year Comprehensive

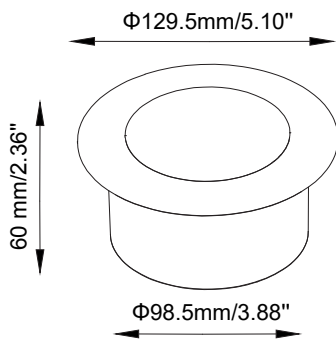




The Starke is part of BOLD's most robust product line of recessed spotlights. Framed with a modern black aluminum ring, this integrated spotlight has a 92.5 CRI and strong beam that can effortlessly uplight elements of up to 9 meters tall from the ground-up.

### SPECIFICATIONS:

- Voltage:** 12V AC
- Wattage:** 3
- Volt Amps:** 4.5
- Lumens:** 240
- Color Temp:** 2700k
- IP Rating:** 67
- CRI:** 92.5
- Material:** Anodized aluminum
- Cable Length:** 36"

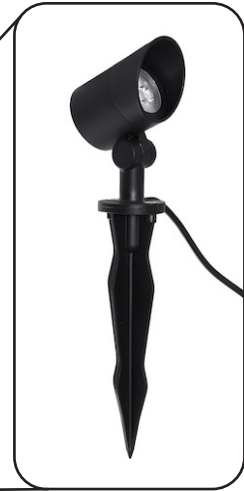


DISTANCE (M)	CENTER BEAM (x) Eavg/Emax	ILLUMINANCE - CONE OF LIGHT	BEAM DIAMETER (m)
1	587 / 889		0.46
2	146 / 222		0.92
3	65.2 / 98.8		1.38
4	36.7 / 55.6		1.84
5	23.5 / 35.6		2.30
6	16.3 / 24.7		2.76
7	12 / 18.2		3.22
8	9.2 / 13.9		3.68
9	7.2 / 11.0		3.14

# STRATA L SLIM

SL-STRATA-SLIM-BK

SPOT LIGHT



Use the Strata L Slim to light up tall and narrow elements. With its modern, powerful, and sleek design, you can push it right into the ground and tilt the light source to customize your lighting needs. The Strata L includes a shroud accessory in the box and has a 92.5 CRI: the ultimate combo for an efficient, high-quality and luxurious outdoor fixture. Hard-mount it to walls, concrete, posts, or fences with the Wall Mount accessory.

## SPECIFICATIONS:

**Voltage:** 12V AC

**Wattage:** 0.7

**Volt Amps:** 11

**Lumens:** 600

**Color Temp:** 2700k

**IP Rating:** 67

**CRI:** 92.5

**Material:** Anodized aluminum

**Cable Length:** 24"





Use the Strata L low voltage spotlight to light up large and wide elements. With its modern, powerful and sleek design, you can push it right into the ground and tilt the light source to customize your lighting needs. The Strata L is 92.5 CRI and 11 VA: the ultimate combo for an efficient, super bright and luxurious outdoor fixture. You can hard-mount it to walls, concrete, posts, and fences using the Wall Mount accessory.

### SPECIFICATIONS:

**Voltage:** 12V AC

**Wattage:** 7

**Volt Amps:** 11

**Lumens:** 600

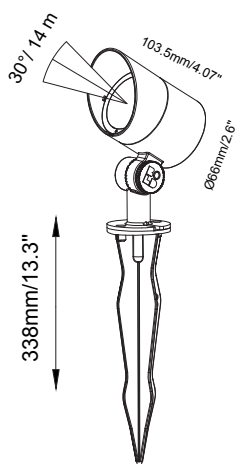
**Color Temp:** 2700k

**IP Rating:** 67

**CRI:** 92.5

**Material:** Anodized aluminum

**Cable Length:** 24"



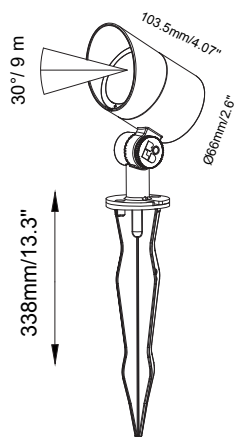
DISTANCE (M)	CENTER BEAM (lx) Eavg/Emax	ILLUMINANCE - CONE OF LIGHT	BEAM DIAMETER (m)
1	1881 / 3057		0.46
2	470 / 764		0.92
4	117 / 191		1.84
5	75.2 / 122		2.30
6	52.2 / 84.6		2.76
7	38.4 / 62.7		3.22
8	29.4 / 47.7		3.68
10	18.8 / 30.5		4.6
14	9.6 / 15.6		6.44



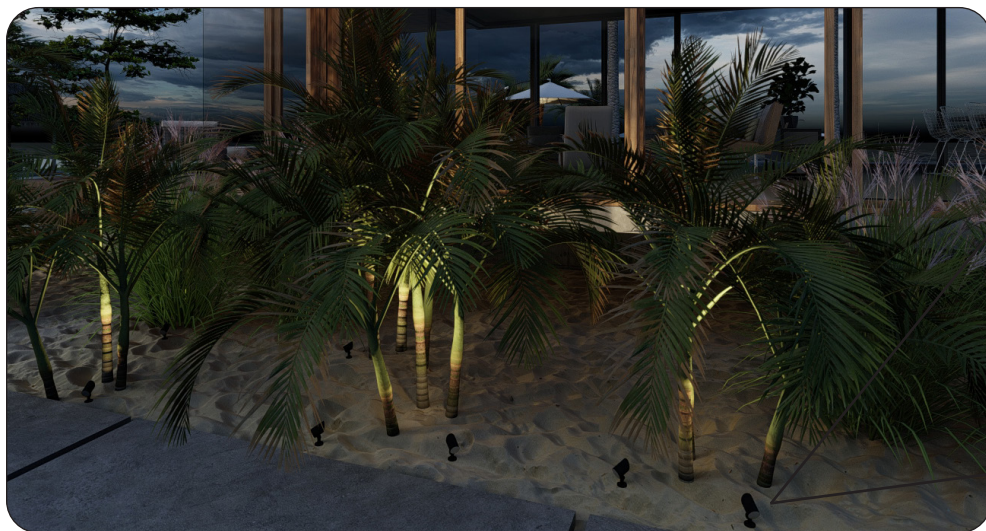
The Strata M is BOLD's go-to for low voltage spotlights. With its modern, powerful and sleek design, you can push it right into the ground and tilt the light source to accent elements in your outdoor space of up to 9 meters tall. The Strata M includes a shroud accessory: the ultimate combo for an efficient and luxurious outdoor fixture. You can also hard-mount it to walls, concrete, posts, and fences using the Wall Mount accessory.

### SPECIFICATIONS:

- Voltage:** 12V AC
- Wattage:** 4
- Volt Amps:** 5.5
- Lumens:** 320
- Color Temp:** 2700k
- IP Rating:** 67
- CRI:** 92.5
- Material:** Anodized aluminum
- Cable Length:** 24"



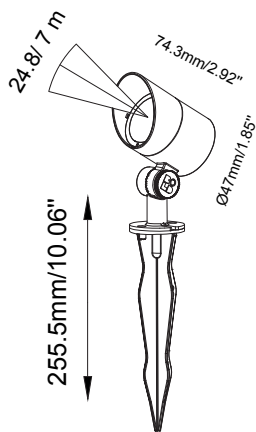
DISTANCE (M)	CENTER BEAM (lx) Eavg/Emax	ILLUMINANCE - CONE OF LIGHT	BEAM DIAMETER (m)
1	643 / 965		0.46
2	161 / 241		0.92
3	72 / 107		1.38
4	40 / 60		1.84
5	25.7 / 38.6		2.30
6	17.9 / 26.8		2.76
7	13.1 / 19.7		3.22
8	10 / 15		3.68
9	8 / 12		3.14



The Strata S is a modern, small -yet powerful- low voltage spotlight. With its sleek design, included shroud accessory, and tiltable light source, you can push it right into the ground to accent smaller elements in your outdoor spaces. You can also hard-mount it to walls, concrete, posts, and fences using the Wall Mount S accessory.

### SPECIFICATIONS:

- Voltage:** 12V AC
- Wattage:** 1.5
- Volt Amps:** 2.5
- Lumens:** 100
- Color Temp:** 2700k
- IP Rating:** 67
- CRI:** 93.5
- Material:** Anodized aluminum
- Cable Length:** 24"



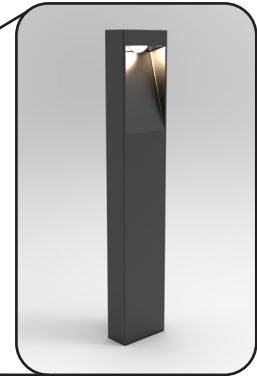
DISTANCE (M)	CENTER BEAM (lx) Eavg/Emax	ILLUMINANCE - CONE OF LIGHT	BEAM DIAMETER (m)
1	356.8 / 538.5		0.42
2	89.2 / 134.6		0.84
3	39.6 / 59.8		1.25
4	22.3 / 33.7		1.67
5	14.3 / 21.5		2.10
6	9.9 / 15.1		2.51
7	7.3 / 11.0		2.93



# TEAR HIGH

PL-TEAR-H-BK

PATH LIGHT



The Tear High path light is elegance, quality, and understated luxury in one package. At 19" tall, this classy and towering fixture has a partially-hidden light source that casts a soft & warm outwards glow on paths, entryways, patios and driveways. Play with the design, levels and sizes of the Tear path lights to create inviting spaces.

## SPECIFICATIONS:

**Voltage:** 12V AC

**Wattage:** 1.5

**Volt Amps:** 2.5

**Lumens:** 50

**Color Temp:** 2700k

**IP Rating:** 65

**CRI:** 92.5

**Material:** Anodized aluminum

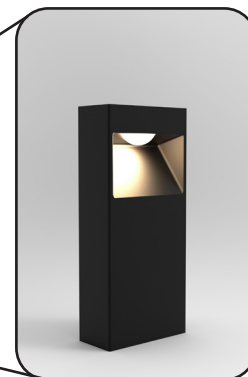
**Cable Length:** 24"



# TEAR LOW

PL-TEAR-L-BK

PATH LIGHT



The Tear Low path light is elegance, quality, and understated luxury in one package. This classy fixture has a partially-hidden light source that casts a soft & warm outwards glow on paths, entryways, patios and driveways. Play with the design, levels and sizes of the Tear path lights to create inviting spaces.

## SPECIFICATIONS:

**Voltage:** 12V AC

**Wattage:** 1.5

**Volt Amps:** 2.5

**Lumens:** 50

**Color Temp:** 2700k

**IP Rating:** 65

**CRI:** 92.5

**Material:** Anodized aluminum

**Cable Length:** 24"



**MORE SPEC INFORMATION TO COME.**

**STAY TUNED!**



**BO  
LD**

DESIGNED AND DEVELOPED IN NORTH AMERICA.

